

**BLUCAST**   
*making water accessible*

**DUCTILE IRON VALVES AND FITTINGS**  
**2021**



# COMPANY PRESENTATION

BLUCAST JOINT STOCK COMPANY, established in 2007, is focused on development of high quality, long lasting and low maintenance products for water supply networks.

The dynamic development of our company and constantly increasing range of production, the introduction of new technologies and management methods has resulted in increased competitiveness of our company in terms of both quality and price.

The goal of our company is to provide the markets with high quality products that ensures highest longevity in our sector and minimized maintenance costs, while maintaining competitive price. This ensures that consumer is protected from irrelevant costs. *Fair price* is our commitment to them.

We know, for the same financial amount it is possible to complete more renovations and reach more consumers with clean water. Furthermore, we strive to complete more water network projects for the same funds to ensure even more people could experience the benefits of clear water in their house.



# CONTENTS

<b>GATE VALVES</b>	<b>2</b>
<b>HYDRANTS</b>	<b>8</b>
<b>DUCTILE IRON FITTINGS</b>	<b>12</b>
<b>FLANGE ADAPTORS AND COUPLINGS</b>	<b>20</b>
<b>TAPPING SADDLES</b>	<b>24</b>
<b>OTHER PRODUCTS</b>	<b>28</b>
<b>CERTIFICATES</b>	<b>31</b>

# GATE VALVE PN16 (F4) series 115



## APPLICATION

Flanged gate valve for drinking water and neutral liquids up to 70°C

## DESIGN FEATURES

Non rising stainless steel stem	Guided wedge to ensure correct sealing
Full bore	100% watertight
Low closing torque	No zones of retention
Clockwise closing	Replaceable wedge nut

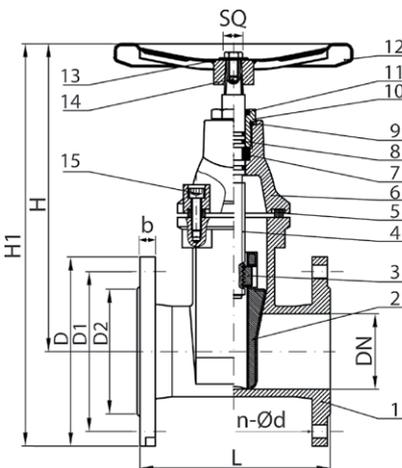
## TECHNICAL CHARACTERISTICS

ACS certificate number - 18 ACC LY 702  
 Design in accordance to EN1074 and EN1171  
 Face to face dimensions according to EN 558-1 series 14 and DIN3202 (F4)  
 Flange end connections according to EN1092-2: PN10&PN16  
 Maximum working pressure: PN16 / 16 bar  
 Working temperature: 0°C - +70°C  
 Fully vulcanized wedge in EPDM according to EN681  
 Stainless steel bolts  
 Color RAL5015  
 Powder epoxy coating at least 250 µm thickness

## OPERATING



DN	Flange drilling	L	H	H1	D	D1	D2	b	n-Ød	SQ	KG	BLUCAST ref. no.
50	PN10/16	150	230	312,5	165	125	99	16	4-Ø19	14	9,9	115050
65	PN10/16	170	265	357,5	185	145	118	16	4-Ø19	14	12,5	115065
80	PN10/16	180	290	390	200	160	132	16	8-Ø19	14	14,7	115080
80	PN10/16	180	290	390	200	160	132	16	4-Ø19	14	14,7	115H080
100	PN10/16	190	335	445	220	180	156	16	8-Ø19	17	18,4	115100
125	PN10/16	200	380	505	250	210	184	16	8-Ø19	19	26	115125
150	PN10/16	210	415	557,5	285	240	211	16	8-Ø23	19	34,1	115150
200	PN10	230	510	680	340	295	266	17	8-Ø23	19	57,8	115200
200	PN16	230	510	680	340	295	266	17	12-Ø23	19	57,8	115P200
250	PN10	250	600	800	400	350	319	19	12-Ø23	24	73,5	115250
250	PN16	250	600	800	400	355	319	19	12-Ø28	24	73,5	115P250
300	PN10	270	690	917,5	455	400	370	20,5	12-Ø23	27	113,2	115300
300	PN16	270	690	917,5	455	410	370	20,5	12-Ø28	27	113,2	115P300
350	PN10	290	790	1042,5	505	460	429	22,5	16-Ø23	27	170,8	115350
350	PN16	290	790	1050	520	470	429	22,5	16-Ø28	27	170,8	115P350
400	PN10	310	855	1137,5	565	515	480	24	16-Ø28	27	209	115400
400	PN16	310	855	1145	580	525	480	24	16-Ø31	27	209	115P400
500	PN10	350	1072	1407	670	620	582	31,5	20-Ø28	32	344	115500
500	PN16	350	1072	1429,5	715	650	609	31,5	20-Ø34	32	344	115P500
600	PN10	390	1228	1618	780	725	682	36	20-Ø31	32	543	115600
600	PN16	390	1228	1648	840	770	720	36	20-Ø37	32	543	115P600



No.	Item	Material
1	Body	EN-GJS-500-7
2	Wedge	EN-GJS-500-7, EPDM
3	Stem nut	Brass
4	Stem	AISI420
5	Sealing gasket	EPDM
6	Bonnet	EN-GJS-500-7
7	Locating ring	Brass
8	Sealing ring	EPDM
9	Sealing ring	EPDM
10	Sealing nut	Brass
11	Sealing ring	EPDM
12	Handwheel	EN-GJS-500-7
13	Washer	AISI304
14	Bolt	AISI304
15	Bolt	AISI304

All illustrations, technical data, dimensions (in mm) and weights (all weights specified in kg) are non-binding and are subject to change

# GATE VALVE

## for electric actuator PN16 (F4) series 115E



### APPLICATION

Flanged gate valve for drinking water and neutral liquids up to 70°C

### DESIGN FEATURES

Non rising stainless steel stem	Guided wedge to ensure correct sealing
Full bore	100% watertight
Low closing torque	No zones of retention
Clockwise closing	ISO5210 top flange for mounting an actuator

### TECHNICAL CHARACTERISTICS

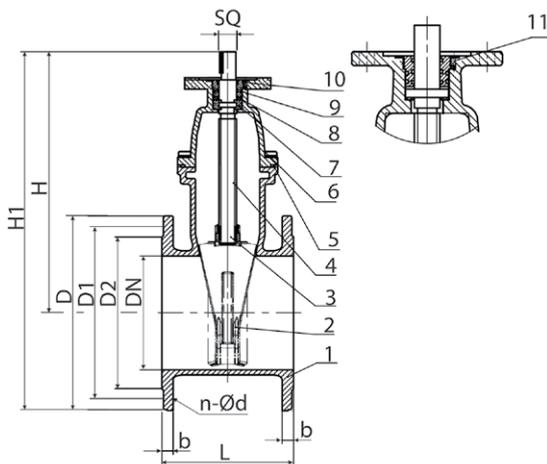
ACS certificate number - 18 ACC LY 702  
 Design in accordance to EN1074 and EN1171  
 Face to face dimensions according to EN 558-1 series 14 and DIN3202 (F4)  
 Flange end connections according to EN1092-2: PN10&PN16  
 Top flange connection according to ISO5210  
 Maximum working pressure: PN16 / 16 bar  
 Working temperature: 0°C - +70°C  
 Fully vulcanized wedge in EPDM according to EN681  
 Stainless steel bolts  
 Color RAL5015  
 Powder epoxy coating at least 250 µm thickness

### OPERATING



GATE VALVES

DN	Flange drilling	L	H	H1	D	D1	D2	b	Top flange size ISO5210	n-Ød	SQ	Torque (Nm)	KG	BLUCAST ref. no.
50	PN10/16	150	230	312,5	165	125	99	16	4-Ø19	F10	20	40	10,2	115E050
65	PN10/16	170	265	357,5	185	145	118	16	4-Ø19	F10	20	60	12,1	115E065
80	PN10/16	180	290	390	200	160	132	16	8-Ø19	F10	20	60	14,1	115E080
100	PN10/16	190	335	445	220	180	156	16	8-Ø19	F10	20	80	24,7	115E100
125	PN10/16	200	380	505	250	210	184	16	8-Ø19	F10	20	100	29	115E125
150	PN10/16	210	415	557,5	285	240	211	16	8-Ø23	F10	20	125	33,1	115E150
200	PN10	230	510	680	340	295	266	17	8-Ø23	F14	30	150	59,2	115E200
200	PN16	230	510	680	340	295	266	17	12-Ø23	F14	30	150	59,2	115EP200
250	PN10	250	600	800	400	350	319	19	12-Ø23	F14	30	200	81	115E250
250	PN16	250	600	800	400	355	319	19	12-Ø28	F14	30	200	81	115EP250
300	PN10	270	690	917,5	455	400	370	20,5	12-Ø23	F14	30	250	114	115E300
300	PN16	270	690	917,5	455	410	370	20,5	12-Ø28	F14	30	250	114	115EP300
350	PN10	290	790	1042,5	505	460	429	22,5	16-Ø23	F14	30	300	174	115E350
350	PN16	290	790	1050	520	470	429	22,5	16-Ø28	F14	30	300	174	115EP350
400	PN10	310	855	1137,5	565	515	480	24	16-Ø28	F14	30	350	221	115E400
400	PN16	310	855	1145	580	525	480	24	16-Ø31	F14	30	350	221	115EP400
500	PN10	350	1072	1407	670	620	582	31,5	20-Ø28	F16	35	500	379	115E500
500	PN16	350	1072	1429,5	715	650	609	31,5	20-Ø34	F16	35	500	379	115EP500
600	PN10	390	1228	1618	780	725	682	36	20-Ø31	F16	35	650	597	115E600
600	PN16	390	1228	1648	840	770	720	36	20-Ø37	F16	35	650	597	115EP600



No.	Item	Material
1	Body	EN-GJS-500-7
2	Wedge	EN-GJS-500-7, EPDM
3	Stem Nut	Brass
4	Stem	AISI420
5	Sealing Gasket	EPDM
6	Bonnet	EN-GJS-500-7
7	Locating ring	Brass
8	O ring	EPDM
9	O ring	EPDM
10	Seal	Brass
11	Bolt	AISI304

All illustrations, technical data, dimensions (in mm) and weights (all weights specified in kg) are non-binding and are subject to change



# THREADED GATE VALVE PN16 series 010



GATE VALVES



## APPLICATION

Threaded gate valve for drinking water and neutral liquids up to 70°C

## DESIGN FEATURES

Non rising stainless steel stem  
Thread connection according to PN-EN ISO 228-1  
Straight passage without slots  
Low closing torque

Guided wedge to ensure correct sealing  
100% watertight, class A  
No zones of retention  
Clockwise closing

## TECHNICAL CHARACTERISTICS

Requirements and tests: according to PN-EN 1074-1.2

Maximum working pressure: PN16 / 16 bar

Working temperature: 0°C - +70°C

Powder epoxy coating at least 250 µm thickness, UV resistant, Color RAL5015

MAXIMUM TORQUE: DN20- 20Nm; DN25- 25Nm; DN32- 30Nm; DN40- 40Nm; DN50- 50Nm

Maximum moment of closing: DN20- 5Nm; DN25- 5Nm; DN32- 10Nm; DN40- 10Nm; DN50- 40Nm

Spindle/ shaft seal: O-ring

Maximum water speed: 4 m/s

Bolts connecting the cover to the body in the valves DN32-50: recessed into the mold, protected overlay

Wedges at DN 20-DN40: Brass forging, vulcanized

Wedges at DN 50: vulcanized all over with a removable nut

Version with both internal threads - code VV, internal/external threads - code VI

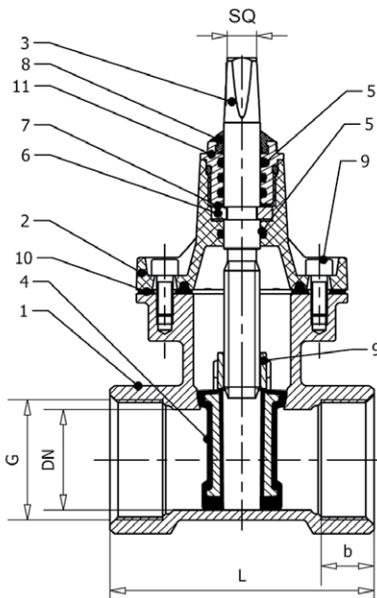
## OPERATING



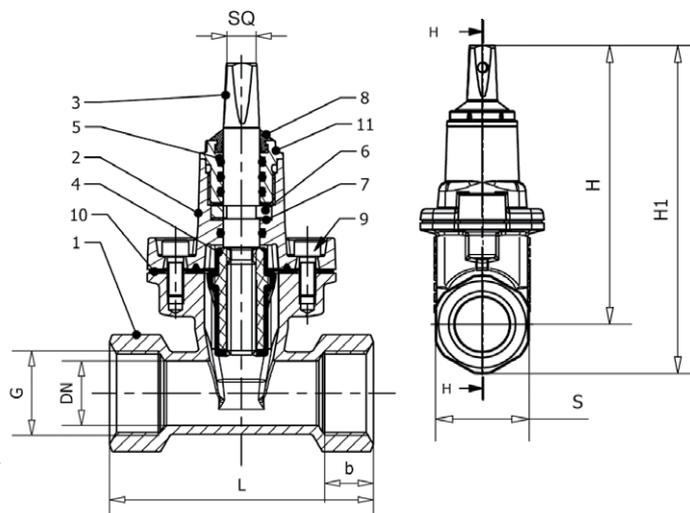
DN	L	H	H1	Threads G	S	b	SQ	KG	BLUCAST ref. no.
20	110	125	147	3/4" int/int	41	22	14	1.2	010020VV
25	110	126	148	1" int/int	44	22	14	1.2	010025VV
32	130	164	193	1 1/4" int/int	54.5	24	14	2.1	010032VV
40	130	177	210	1 1/2" int/int	59.5	24	14	2.3	010040VV
50	130	200	230	2" int/int	70	26	14	3.2	010050VV
20	110	125	147	3/4" int/ext	41	22	14	1.2	010020VI
25	110	126	148	1" int/ext	44	22	14	1.2	010025VI
32	130	164	193	1 1/4" int/ext	54.5	24	14	2.1	010032VI
40	130	177	210	1 1/2" int/ext	59.5	24	14	2.3	010040VI
50	130	200	230	2" int/ext	70	26	14	3.2	010050VI

No.	Item	Material	Standard
1	Valve body	EN-GJS 500-7	PN-EN 1563
2	Valve cover	EN-GJS 500-7	PN-EN 1563
3	Stem	Stainless steel	PN-EN 10088-1
4	Rubber wedge	EN-GJS 500-7/EPDM	PN-EN 1563/681-1
5	O-ring sealing ring	EPDM	DIN 3771
6	Stem half-ring	Spring Steel	
7	Sliding ring	Poliamid	
8	Scraper ring	EPDM	PN-EN 681-1
9	Screw	Galv. steel cl. 8.8	PN-EN ISO 4762
10	Gasket cover	EPDM	PN-EN 681-1
11	Gland	Brass	PN-EN 1982

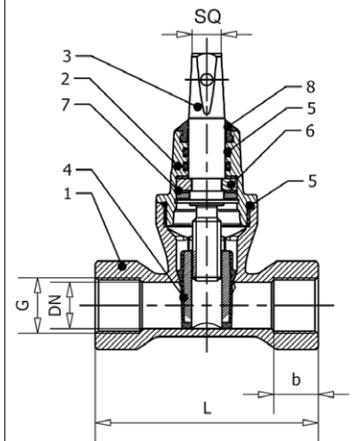
### DN50



### DN32-DN40



### DN20-DN25



\* We reserve the right to modify the products

All illustrations, technical data, dimensions (in mm) and weights (all weights specified in kg) are non-binding and are subject to change



# BALL CHECK VALVE series ARV



## APPLICATION

Ball check valves for drinking water and neutral liquids up to 70°C

## DESIGN FEATURES

Self cleaning construction  
Full bore  
Easy disassembly of the top cap to remove the ball  
Simple and compact design  
Can be installed in vertical and horizontal positions

## TECHNICAL CHARACTERISTICS

Maximum working pressure: PN10 / PN16  
Working temperature: 0°C - +70°C  
Fully vulcanized ball in EPDM (NBR option available)  
Color RAL5015  
Powder epoxy coating 250 µm thickness  
Bonnet gasket in EPDM

### Flanged version:

Design in accordance to EN12050  
Face to face dimensions according to:  
EN558 series 48 / DIN 3202 (F6)  
Flange end connections according to  
EN1092-2: PN10&PN16

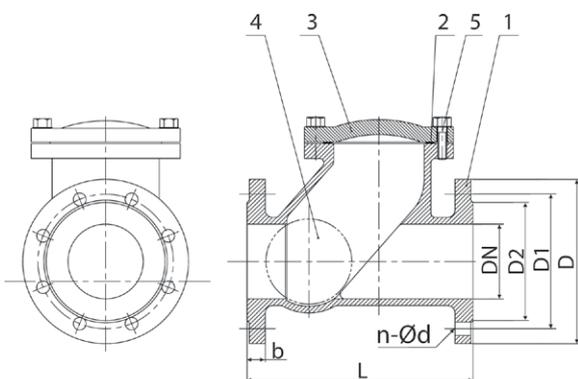
### Threaded version:

Thread connections according to EN 10226-1



GATE VALVES

DN	Flange drilling	L	D	D1	D2	b	n-Ød	KG	BLUCAST ref. no.
32	1 1/4" thread	140	-	-	-	18	-	2,5	ARV032VV
40	1 1/2" thread	145	-	-	-	18	-	2,6	ARV040VV
50	2" thread	170	-	-	-	20	-	3,8	ARV050VV
50	PN10/16	200	165	125	102	19	4-Ø19	8,5	ARV050
65	PN10/16	240	185	145	122	19	4-Ø19	9,5	ARV065
80	PN10/16	280	200	160	138	19	8-Ø19	12	ARV080
100	PN10/16	300	220	180	158	19	8-Ø19	16	ARV100
125	PN10/16	350	250	210	188	19	8-Ø19	22	ARV125
150	PN10/16	400	285	240	212	19	8-Ø23	31	ARV150
200	PN10	500	340	295	268	20	8-Ø23	68	ARV200
250	PN10	600	405	350	319	22	12-Ø23	100	ARV250
300	PN10	700	460	400	370	24,5	12-Ø23	132	ARV300
400	PN10	900	580	515	480	28	16-Ø28	275	ARV400



No.	Item	Material
1	Body	EN-GJS-400-15
2	Gasket	EPDM
3	Cover	EN-GJS-400-15
4	Ball	Alluminium + EPDM
5	Bolt	Zinc plated 4.8 steel or Stainless steel AISI304

All illustrations, technical data, dimensions (in mm) and weights (all weights specified in kg) are non-binding and are subject to change



# BUTTERFLY VALVE series VB



GATE VALVES



## APPLICATION

Wafer butterfly valve for drinking water and neutral liquids up to 70°C

## DESIGN FEATURES

Wafer type for mounting between two flanges

Stainless steel stem

Mechanical position indicator

ISO5211 top flange mounting actuator

Clockwise closing

100% watertight

## TECHNICAL CHARACTERISTICS

Design in accordance to EN593

Face to face dimensions according to EN558: Series 20

Flange end connections according to EN1092-2: PN10&PN16

Top flange connection according to ISO5211

Maximum working pressure: PN16 / 16 bar

Working temperature: 0°C - +70°C

DN50-DN300 - lever operated, DN350 and above - with gearbox

EPDM seat

Stainless steel bolts

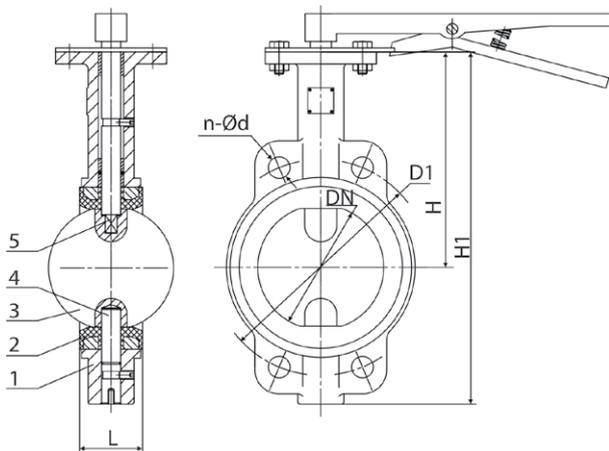
Color RAL5015

Powder epoxy coating 250 µm thickness

## OPERATING



DN	Flange drilling	L	H	H1	D1	n-Ød	Top flange size ISO5211	KG	BLUCAST ref. no.
50	PN10/16	43	69	147	125	4-Ø18	F05	3,7	VB050
65	PN10/16	46	82	155	145	4-Ø18	F05	4,4	VB065
80	PN10/16	46	98	163	160	4-Ø18	F05	4,9	VB080
100	PN10/16	52	111	176	180	8-Ø18	F07	6,5	VB100
125	PN10/16	56	123	205	210	8-Ø18	F07	7,8	VB125
150	PN10/16	56	139	216	240	8-Ø23	F07	9,2	VB150
200	PN10	60	172	253	295	8-Ø23	F10	14,7	VB200
250	PN10	68	209	280	350	12-Ø23	F10	21,2	VB250
300	PN10	78	241	332	400	12-Ø23	F10	35,2	VB300
350	PN10	79	267	368	460	16-Ø23	F12	58,8	VB350
400	PN10	90	298	400	515	16-Ø28	F14	101,2	VB400
500	PN10	132	349	480	620	20-Ø28	F14	160,1	VB500
600	PN10	156	410	562	725	20-Ø31	F16	257,5	VB600
50	PN10/16	43	69	147	125	4-Ø18	F05	3,7	VBSS050
65	PN10/16	46	82	155	145	4-Ø18	F05	4,4	VBSS065
80	PN10/16	46	98	163	160	4-Ø18	F05	4,9	VBSS080
100	PN10/16	52	111	176	180	8-Ø18	F07	6,5	VBSS100
150	PN10/16	56	139	216	240	8-Ø23	F07	9,2	VBSS150
200	PN10	60	172	253	295	8-Ø23	F10	14,7	VBSS200



No.	Item	Material
1	Body	EN-GJS-500-7
2	Seat	EPDM
3	Disc	EN-GJS-500-7, Nickel plated OR stainless steel CF8 (AISI304)
4	Upper stem	Stainless steel AISI420
5	Lower stem	Stainless steel AISI420

All illustrations, technical data, dimensions (in mm) and weights (all weights specified in kg) are non-binding and are subject to change

# KNIFE GATE VALVE series PS



## APPLICATION

Resilient seat knife gate valve for drinking water and neutral liquids up to 70°C

## DESIGN FEATURES

Stainless steel stem  
100% watertight  
Single or Double directional tightness  
Clockwise closing  
Non-rising stem

## TECHNICAL CHARACTERISTICS

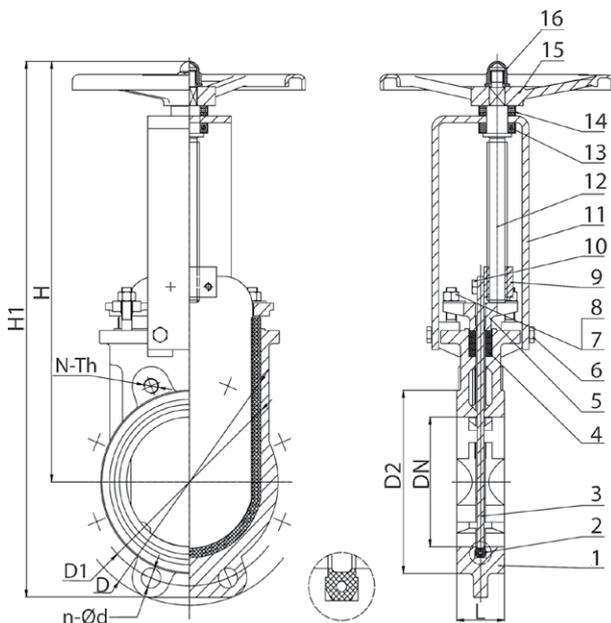
Design in accordance to EN1074  
Flange end connections according to EN1092-2: PN10&PN16  
Maximum working pressure: DN50-DN250 - PN10/10 bar,  
DN300-DN400 - PN6/6 bar, DN500-DN600 - PN4/4 bar  
Working temperature: 0°C - +70°C  
EPDM seat  
Stainless steel bolts  
Color RAL5015  
Handwheel operated (DN50-DN400), from DN500 - with gearbox  
Powder epoxy coating 250 µm thickness

## OPERATING



GATE VALVES

DN	Flange drilling	L	H	H1	D2	D1	D	n-Ød	n-Th	KG	BLUCAST ref. no.
50	PN10/16	48	290	339,5	99	125	165	4-Ø18	4-M16	7	PS050
65	PN10/16	48	320	379	118	145	185	4-Ø18	4-M16	8	PS065
80	PN10/16	51	350	416	132	160	200	4-Ø18	8-M16	10	PS080
100	PN10/16	51	385	463	156	180	220	8-Ø18	8-M16	13	PS100
125	PN10/16	57	430	522	184	210	250	8-Ø18	8-M16	18	PS125
150	PN10/16	57	485	591	212	240	285	8-Ø23	8-M20	23	PS150
200	PN10	60	565	698	266	295	340	8-Ø23	8-M20	30	PS200
250	PN10	70	680	839,5	319	350	395	12-Ø23	12-M20	51	PS250
300	PN10	76	755	940	370	400	445	12-Ø23	12-M20	63	PS300
350	PN10	76	922	1137	430	460	505	16-Ø23	16-M20	87	PS350
400	PN10	89	970	1210	480	515	565	16-Ø28	16-M24	117	PS400
500	PN10	127	1330	1621	582	620	670	20-Ø28	20-M24	230	PS500
600	PN10	154	1460	1801	682	725	780	20-Ø31	20-M27	320	PS600



No.	Item	Material
1	Body	EN-GJS-400-15
2	Seat	EPDM
3	Disc	AISI304
4	Sealing	PTFE
5	Gland	WCB
6	Bolt	AISI201
7	Nut/Bolt	AISI201
8	Nut/Bolt	AISI201
9	Stem Nut	Brass
10	Bolt	SS201
11	Yoke	AISI A3
12	Stem	AISI420
13	Bearing	Stainless steel
14	Bearing Cap	AISI A3
15	Handwheel	EN-GJS-400-15
16	Nut	AISI201

All illustrations, technical data, dimensions (in mm) and weights (all weights specified in kg) are non-binding and are subject to change



# UNDERGROUND HYDRANT PN16 series PH



## APPLICATION

Underground hydrant for fire protection and drinking water applications

## DESIGN FEATURES

Corrosion resistant internal and external parts  
 Complete drainage system  
 Low closing torque  
 Clockwise closing  
 100% watertight

## TECHNICAL CHARACTERISTICS

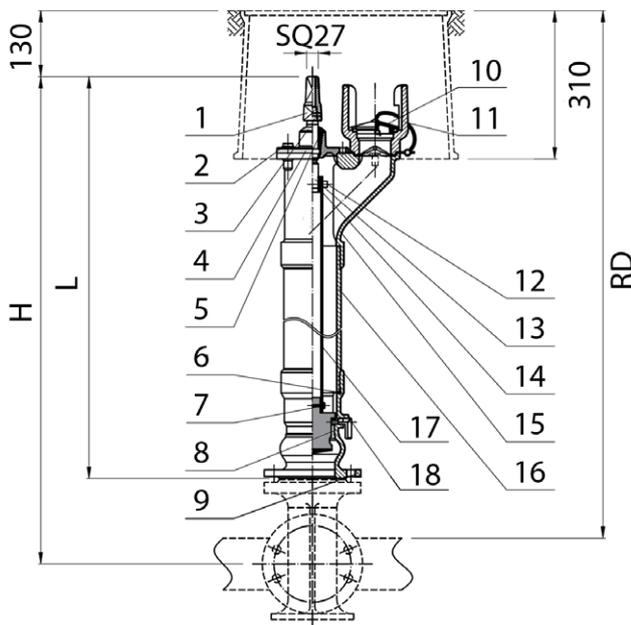
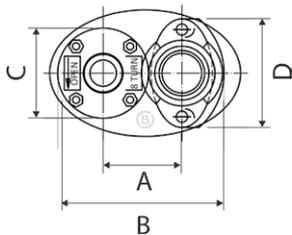
Flange end connections according to EN1092-2: PN10/PN16  
 Product according to EN 1074-1; EN 1074-6; EN 14339  
 Bayonet socket according to DIN 3221 "C"  
 Maximum working pressure: PN16 / 16 bar  
 Working temperature: 0°C - +50°C  
 Fully vulcanized wedge in EPDM  
 Color RAL5015  
 Powder epoxy coating 250 µm thickness  
 Beginning of opening <3 turns, full opening after 8 turns

## OPERATING



HYDRANTS

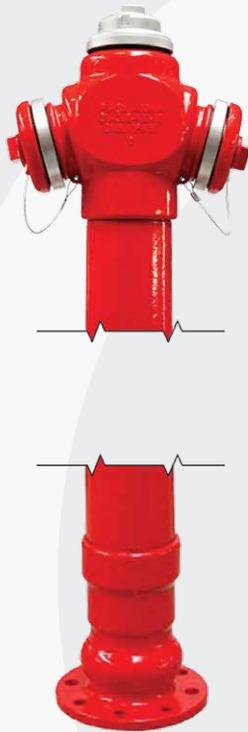
DN	Flange drilling	L	RD	H	A	B	C	D	KG	BLUCAST ref. no.
80	PN10/16	500	750	665	130	255	150	180	30	PH0800500
80	PN10/16	750	1000	915	130	255	150	180	34	PH0800750
80	PN10/16	1000	1250	1165	130	255	150	180	39	PH0801000
80	PN10/16	1250	1500	1415	130	255	150	180	45	PH0801250
80	PN10/16	1500	1800	1715	130	255	150	180	50	PH0801500
100	PN10/16	750	1000	935	176	352	180	215	50	PH1000750
100	PN10/16	1000	1250	1185	176	352	180	215	56	PH1001000
100	PN10/16	1250	1500	1435	176	352	180	215	62	PH1001250
100	PN10/16	1500	1800	1735	176	352	180	215	70	PH1001500



No.	Item	Material
1	Stem cap	EN-GJS-500-7
2	Bolts	Carbon steel 8.8 zinc coated
3	Sealing nut	Carbon steel 8.8 zinc coated
4	Head	EN-GJS-500-7
5	Stem	Stainless steel
6	Gasket	EPDM
7	Screw	Carbon steel 8.8 zinc coated
8	Bottom body	EN-GJS-500-7
9	Bottom body	EN-GJS-500-7
10	Cap	EN-GJS-500-7
11	Bayonet socket	EN-GJS-500-7
12	Bolts	Carbon steel 8.8 zinc coated
13	Stem	Stainless steel
14	Stem nut	Bronze
15	Body	EN-GJS-500-7
16	Connecting pipe	EN-GJS-500-7

All illustrations, technical data, dimensions (in mm) and weights (all weights specified in kg) are non-binding and are subject to change

# OVERGROUND HYDRANT PN16 series OH



## APPLICATION

Overground hydrant for fire protection and drinking water applications

## DESIGN FEATURES

Corrosion resistant internal and external parts  
Complete drainage after full cut-off of the flow  
Complete drainage system  
Stainless steel stem with rolled thread  
O-ring stem sealing, packing cork protected against medium

Forged packing cork protected against unscrewing  
Low closing torque  
Clockwise closing  
100% watertight

## TECHNICAL CHARACTERISTICS

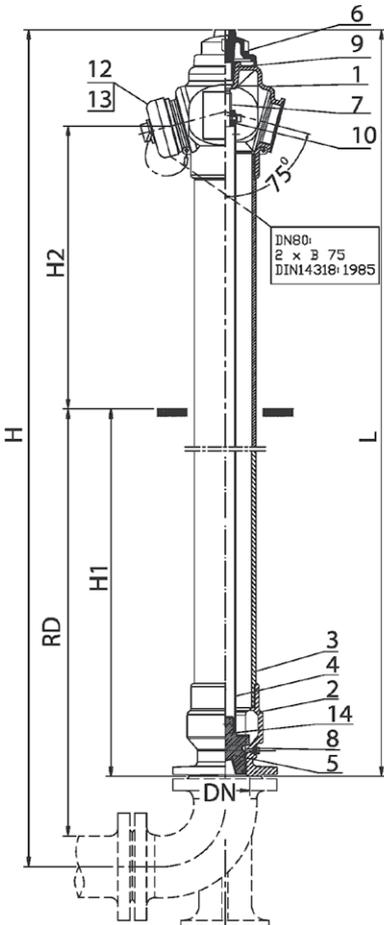
Flange end connections according to EN1092-2: PN10/PN16  
Design in accordance to EN1074  
Maximum working pressure: PN16 / 16 bar  
Working temperature: 0°C - +50°C  
Fully vulcanized wedge in EPDM  
Powder epoxy coating 250 µm thickness  
Beginning of opening <3 turns, full opening after 8 turns

## OPERATING

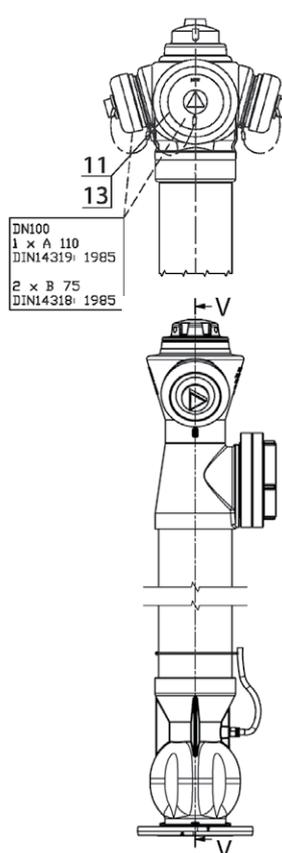


HYDRANTS

DN80



DN100



DN	RD	L	H	H1	H2	KG	BLUCAST ref. no.
80	1000	1640	1805	880	565	48	OH0801000
80	1250	1890	2065	1130	565	50	OH0801250
80	1500	2140	2315	1380	565	59	OH0801500
80	1800	2440	2615	1680	565	60	OH0801800
100	1250	1900	2080	1130	565	68	OH1001250
100	1500	2150	2330	1380	565	73	OH1001500
100	1800	2450	2630	1680	565	78	OH1001800

No.	Item	Material
1	Head	Ductile iron EN-GJS-400-15
2	Bottom body	Ductile iron EN-GJS-400-15
3	Stand pipe	Ductile iron EN-GJS-400-15
4	Spindle	Steel
5	Valve plug	Ductile iron EN-GJS-400-15
6	Cap	Ductile iron EN-GJS-400-15
7	Stem	Stainless steel AISI420
8	Dehydrator	Brass
9	Gland seal	Ductile iron EN-GJS-400-15
10	Stem nut	Brass
11	Outlet connector 1	Aluminium
12	Outlet connector 2	Aluminium
13	Gasket	EPDM
14	Bolts & nuts	Galvanized steel

All illustrations, technical data, dimensions (in mm) and weights (all weights specified in kg) are non-binding and are subject to change

# OVERGROUND HYDRANT BREAKABLE series OHB



## APPLICATION

Underground hydrant for fire protection and drinking water applications

## DESIGN FEATURES

Corrosion resistant internal and external parts  
Stainless steel stem with rolled thread  
Complete drainage after full cut-off of the flow  
Complete drainage system  
Forged packing cork protected against unscrewing  
The breakable flange and stem rod coupling ensure no leaking and easy repair at traffic knock down

Low closing torque  
O-ring stem sealing, packing cork protected against medium  
Clockwise closing  
Single closing  
100% watertight

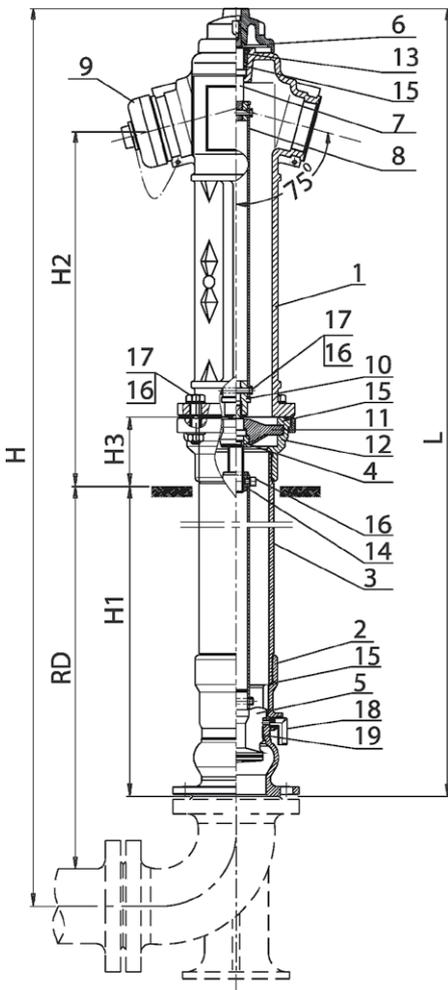
## TECHNICAL CHARACTERISTICS

Flange end connections according to EN1092-2: PN10/PN16  
Maximum working pressure: PN16 / 16 bar  
Working temperature: 0°C - +50°C  
Fully vulcanized wedge in EPDM  
Powder epoxy coating 250 µm thickness  
UV resistant epoxy coating minimum 250 microns  
Beginning of opening <3 turns, full opening after 8 turns

## OPERATING



HYDRANTS



DN	Flange drilling	RD	L	H	H1	H2	KG	BLUCAST ref. no.
80	PN10/16	1250	1890	2060	1130	640	49	OHB0801250
80	PN10/16	1500	2140	2310	1380	640	52	OHB0801500
80	PN10/16	1800	2440	2610	1680	640	60	OHB0801800
100	PN10/16	1250	1950	2150	1110	640	60	OHB1001250
100	PN10/16	1500	2200	2400	1360	640	65	OHB1001500
100	PN10/16	1800	2500	2700	1660	640	75	OHB1001800

No.	Item	Material
1	Upper body	EN-GJS-400-15
2	Bottom body	EN-GJS-400-15
3	Column	EN-GJS-400-15
4	Bonnet	EN-GJS-400-15
5	Valve head	EN-GJS-400-15 + EPDM
6	Cap	EN-GJS-400-15
7	Valve stem	Stainless steel AISI420
8	Spindle	Steel
9	Outlet 1	Aluminium
10	Outlet 2	Aluminium
11	Gasket	EPDM
12	Gasket	EPDM
13	Gland seal	Brass
14	Stem nut	Brass
15	O-ring	EPDM
16	Bolt	Steel or Stainless steel AISI304
17	Nut	Steel or Stainless steel AISI304
18	Dehydrator	Brass
19	Seat	Brass

All illustrations, technical data, dimensions (in mm) and weights (all weights specified in kg) are non-binding and are subject to change



# OVERGROUND HYDRANT PN16 series OHS, OHSG

## APPLICATION

Overground hydrant for fire protection and drinking water applications

## DESIGN FEATURES

Corrosion resistant internal and external parts  
Complete drainage after full cut-off of the flow  
Complete drainage system  
Stainless steel stem with rolled thread  
O-ring stem sealing, packing cork protected against medium

Forged packing cork protected against unscrewing  
Low closing torque  
Clockwise closing  
100% watertight

## TECHNICAL CHARACTERISTICS

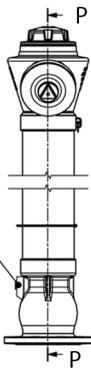
Flange end connections according to EN1092-2: PN10/PN16  
Design in accordance to EN1074  
Maximum working pressure: PN10 / 16 bar  
Fully vulcanized wedge in EPDM  
Powder epoxy coating 80 µm thickness (250 µm on request) (epoxy + polyester)  
Beginning of opening 4< turns, full opening after 9 turns  
Steel column - series OHS, galvanized steel column - series OHSG  
Outlets according to DIN 14317 (DN80, DN100) and DIN14319 (DN100)

## OPERATING

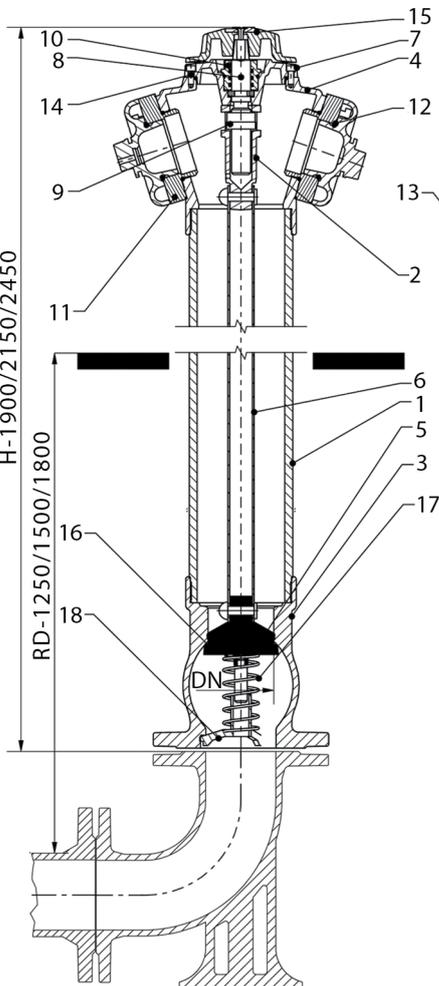


HYDRANTS

### DN80



DN	RD	L	H	KG	BLUCAST ref. no.
80	1250	1900	2070	289,5	OHS0801250
80	1500	2150	2320	291	OHS0801500
80	1800	2450	2620	302	OHS0801800
100	1250	1900	2070	304	OHS1001250
100	1500	2150	2320	306	OHS1001500
100	1800	2450	2620	308	OHS1001800
80	1250	1900	2070	289,5	OHSG0801250
80	1500	2150	2320	291	OHSG0801500
80	1800	2450	2620	302	OHSG0801800
100	1250	1900	2070	304	OHSG1001250
100	1500	2150	2320	306	OHSG1001500
100	1800	2450	2620	308	OHSG1001800



No.	Item	Material
1	Column	Steel (series OHS) or galvanized steel (series OHSG)
2	Slide	EN GJL-250
3	Lower body	EN GJL-250
4	Upper body	EN GJL-250
5	Disc	EN GJL-250 / EPDM
6	Piston rod	Galvanized steel
7	Cover	EN GJL-250
8	Stem	Stainless steel
9	Nut	Brass
10	Gland	Brass
11	Cap	Alluminum alloy
12	O-ring	EPDM
13	Dehydrator	Plastic
14	Screw	A2 stainless steel
15	Knob	EN GJL-250

All illustrations, technical data, dimensions (in mm) and weights (all weights specified in kg) are non-binding and are subject to change



# ALL FLANGED TEE series T



## TECHNICAL CHARACTERISTICS

Flange end connections according to EN1092-2: PN10/PN16

Designed according to EN545

Maximum working pressure: PN16 / 16 bar

Working temperature: 0°C - +70°C

Color RAL5015

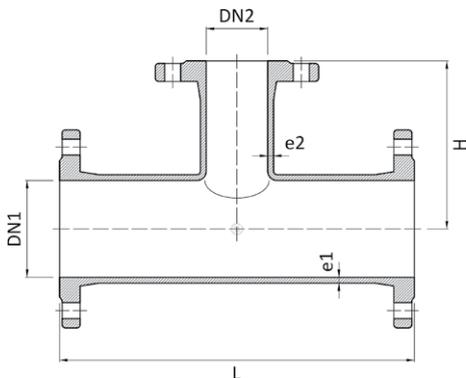
Powder epoxy coating 250 µm thickness

Body from ductile iron EN-GJS-500-7

WRAS approved epoxy coating, ACS approved epoxy coating under request

DUCTILE IRON FITTINGS

DN1	DN2	Flange drilling	L	H	e1	e2	weight	BLUCAST ref. no.	DN1	DN2	Flange drilling	L	H	e1	e2	weight	BLUCAST ref. no.
50	50	PN10/16	300	150	7	7	9.8	T050050	250	150	PN10	485	280	9	7.5	62	T250150
65	50	PN10/16	330	160	7	7	12	T065050	250	150	PN16	485	280	9	7.5	62	T250150P
65	65	PN10/16	330	165	7	7	13	T065065	250	200	PN10	540	290	9	8.4	64.8	T250200
80	50	PN10/16	310	150	7	7	13	T080050	250	200	PN16	540	290	9	8.4	64.8	T250200P
80	65	PN10/16	320	165	7	7	13.5	T080065	250	250	PN10	600	300	9	9	89	T250250
80	80	PN10/16	330	165	7	7	11.9	T080080	250	250	PN16	600	300	9	9	89	T250250P
100	50	PN10/16	320	170	7.2	7	12.7	T100050	300	80	PN10	425	290	9.6	7	62	T300080
100	65	PN10/16	360	175	7.2	7	13.5	T100065	300	80	PN16	425	290	9.6	7	62	T300080P
100	80	PN10/16	330	175	7.2	7	15.4	T100080	300	100	PN10	450	300	9.6	7.2	65	T300100
100	100	PN10/16	360	180	7.2	7.2	15.3	T100100	300	100	PN16	450	300	9.6	7.2	65	T300100P
150	50	PN10/16	335	180	7.8	7	27.8	T150050	300	150	PN10	505	310	9.6	7.5	82	T300150
150	65	PN10/16	440	205	7.8	7	28	T150065	300	150	PN16	505	310	9.6	7.5	82	T300150P
150	80	PN10/16	360	205	7.8	7	28.5	T150080	300	200	PN10	565	320	9.6	8.4	85	T300200
150	100	PN10/16	440	205	7.8	7.2	29.5	T150100	300	200	PN16	565	320	9.6	8.4	85	T300200P
150	150	PN10/16	440	215	7.8	7.8	30.7	T150150	300	250	PN10	620	330	9.6	9	90	T300250
200	50	PN10	380	225	8.4	7	32	T200050	300	300	PN10	680	340	9.6	9.6	100.9	T300300
200	65	PN10	380	225	8.4	7	32.8	T200065	300	300	PN16	680	340	9.6	9.6	100.9	T300300P
200	80	PN10	380	225	8.4	7	30.9	T200080	350	350	PN10	760	380	10.2	10.2	128	T350350
200	100	PN10	400	230	8.4	7.2	35.5	T200100	400	80	PN10	470	350	10.2	7	91	T400080
200	100	PN16	400	230	8.4	7.2	35.5	T200100P	400	100	PN10	490	350	10.2	7.2	91	T400100
200	150	PN10	460	245	8.4	7.8	40.5	T200150	400	150	PN10	550	350	10.8	7.5	97.5	T400150
200	150	PN16	460	245	8.4	7.8	40.5	T200150P	400	200	PN10	610	350	10.8	8.4	113.1	T400200
200	200	PN10	460	260	8.4	8.4	45.4	T200200	400	250	PN10	665	380	10.8	9	125.1	T400250
200	200	PN16	460	260	8.4	8.4	45.4	T200200P	400	300	PN10	725	400	10.8	9.6	138.4	T400300
250	65	PN10	405	265	9	7	45	T250065	400	400	PN10	840	420	10.8	10.8	163.3	T400400
250	80	PN10	405	265	9	7	48	T250080	500	80	PN10	515	400	12	7	129.5	T500080
250	100	PN10	425	270	9	7.2	52.6	T250100	500	100	PN10	535	400	12	7.2	133.5	T500100
250	100	PN16	425	270	9	7.2	52.6	T250100P	500	150	PN10	600	410	12	7.8	146.6	T500150
									500	200	PN10	650	415	12	8.4	157.5	T500200
									500	250	PN10	680	430	12	8.4	166.9	T500250
									500	300	PN10	740	500	12	9.6	150	T500300
									500	400	PN10	885	480	12	10.8	216.9	T500400
									500	500	PN10	1000	500	12	12	252	T500500
									600	100	PN10	550	450	13.2	7.2	180.4	T600100
									600	150	PN10	650	450	13.2	7.8	203.8	T600150
									600	200	PN10	700	450	13.2	8.4	211	T600200
									600	250	PN10	740	480	13.2	8.4	230	T600250
									600	300	PN10	810	500	13.2	9.6	250.3	T600300
									600	400	PN10	930	530	13.2	10.8	285.8	T600400
									600	500	PN10	1000	545	13.2	12	314.1	T600500
									600	600	PN10	1100	550	13.2	13.2	355.0	T600600



All illustrations, technical data, dimensions (in mm) and weights (all weights specified in kg) are non-binding and are subject to change



# ALL FLANGED CROSS series TT



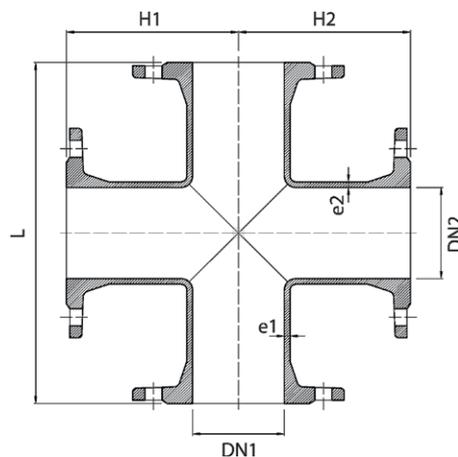
## TECHNICAL CHARACTERISTICS

Flange end connections according to EN1092-2  
 Drilling of flanges: PN10/16, starting from DN200 - PN10  
 Designed according to EN545  
 Maximum working pressure: PN16 / 16 bar  
 Working temperature: 0°C - +70°C  
 Color RAL5015  
 Powder epoxy coating 250 µm thickness  
 Body from ductile iron EN-GJS-500-7  
 WRAS approved epoxy coating,  
 ACS approved epoxy coating under request



DUCTILE IRON FITTINGS

DN1	DN2	Flange drilling	L	H1	H2	e1	e2	Weight	BLUCAST ref. no.
50	50	PN10/16	300	165	165	7	7	13,8	TT050
65	65	PN10/16	330	165	165	7	7	19,5	TT065
80	80	PN10/16	330	165	165	7	7	21,5	TT080
100	50	PN10/16	360	180	180	7,2	7	21,5	TT100050
100	80	PN10/16	360	180	170	7,2	7	22	T100080
100	100	PN10/16	360	180	180	7,2	7,2	21,4	TT100
150	80	PN10/16	440	220	200	7,2	7	30	TT150080
150	100	PN10/16	440	220	220	7,8	7,2	36,0	TT150100
150	150	PN10/16	440	220	220	7,8	7,8	47,1	TT150
200	100	PN10	400	260	260	8,4	7,2	40,3	TT200100
200	150	PN10	460	260	260	8,4	7,8	51,0	TT200150
200	200	PN10	520	260	260	8,4	8,4	66,0	TT200
200	200	PN16	520	260	260	8,4	8,4	66,0	TT200P
250	100	PN10	425	270	270	9	9	55,4	TT250100
250	250	PN10	600	300	300	9	9	90,0	TT250
300	100	PN10	450	300	300	9,6	9,6	70,6	TT300100
300	150	PN10	505	310	310	9,6	9,6	80,8	TT300150
300	200	PN10	520	320	320	9,6	9,6	92,3	TT300200
300	300	PN10	680	340	340	9,6	9,6	124,0	TT300
350	350	PN10	760	380	380	10,8	10,8	156	TT350
400	100	PN10	490	360	360	8,4	10,8	100,0	TT400100
400	150	PN10	550	370	370	9,1	10,8	113,0	TT400150
400	400	PN10	840	420	420	10,8	10,8	197,0	TT400
500	500	PN10	1000	500	500	12	12	312	TT500
600	600	PN10	1100	500	500	13,2	13,2	443	TT600



All illustrations, technical data, dimensions (in mm) and weights (all weights specified in kg) are non-binding and are subject to change

# DOUBLE FLANGED BEND 90° series Q



## TECHNICAL CHARACTERISTICS

Flange end connections according to EN1092-2: PN10 or PN16  
 Designed according to EN545  
 Maximum working pressure: PN16 / 16 bar  
 Working temperature: 0°C - +70°C  
 Color RAL5015  
 Powder epoxy coating 250 µm thickness  
 Body from ductile iron EN-GJS-500-7  
 WRAS approved epoxy coating,  
 ACS approved epoxy coating under request

# DOUBLE FLANGED BEND 45° series FFK



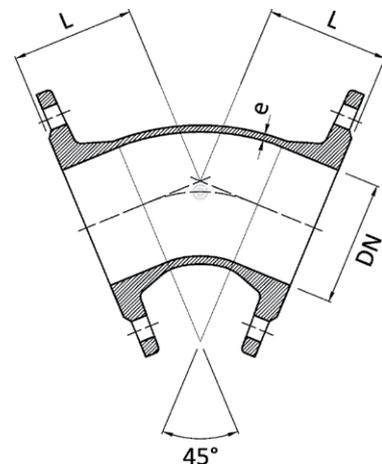
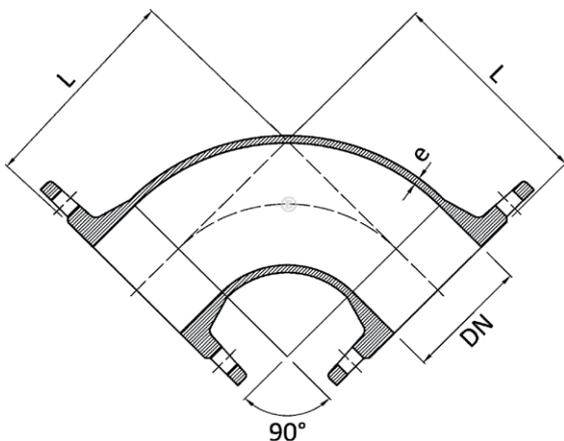
## TECHNICAL CHARACTERISTICS

Flange end connections according to EN1092-2: PN10/PN16  
 Designed according to EN545  
 Maximum working pressure: PN16 / 16 bar  
 Working temperature: 0°C - +70°C  
 Color RAL5015  
 Powder epoxy coating 250 µm thickness  
 Body from ductile iron EN-GJS-500-7  
 WRAS approved epoxy coating,  
 ACS approved epoxy coating under request

DUCTILE IRON FITTINGS

DN	Flange drilling	L	e	Weight	BLUCAST ref. no.
50	PN10/16	150	7	6.1	Q050
65	PN10/16	160	7	8.5	Q065
80	PN10/16	165	7	9.7	Q080
100	PN10/16	180	7.2	11.9	Q100
150	PN10/16	220	7.8	18.3	Q150
200	PN10	260	8.4	33.6	Q200
200	PN16	260	8.4	33.6	Q200P
250	PN10	350	9	52	Q250
250	PN16	350	9	52	Q250P
300	PN10	400	9.6	72	Q300
300	PN16	400	9.6	72	Q300P
400	PN10	500	10.4	151	Q400
500	PN10	600	12	190	Q500
600	PN10	700	13.2	286	Q600

DN	Flange drilling	L	e	Weight	BLUCAST ref. no.
50	PN10/16	150	7	7.6	FFK050
65	PN10/16	165	7	8.7	FFK065
80	PN10/16	130	7	9.3	FFK080
100	PN10/16	140	7.2	10.8	FFK100
150	PN10/16	160	7.8	19	FFK150
200	PN10	180	8.4	28	FFK200
250	PN10	245	9	46	FFK250
300	PN10	275	9.6	64	FFK300
400	PN10	325	10.4	96	FFK400
500	PN10	375	12	145	FFK500
600	PN10	400	13.2	211	FFK600



All illustrations, technical data, dimensions (in mm) and weights (all weights specified in kg) are non-binding and are subject to change



# DOUBLE FLANGED TAPER series FFR



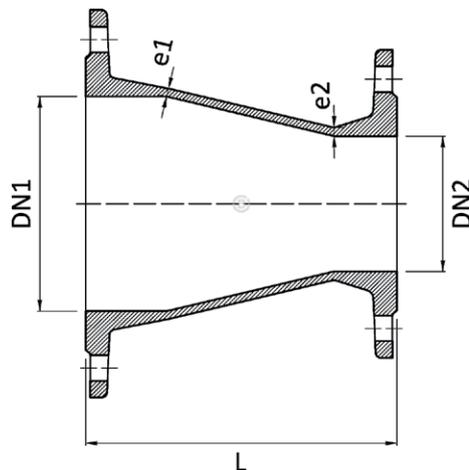
## TECHNICAL CHARACTERISTICS

Flange end connections according to EN1092-2: PN10/PN16  
 Designed according to EN545  
 Maximum working pressure: PN16 / 16 bar  
 Working temperature: 0°C - +70°C  
 Color RAL5015  
 Powder epoxy coating 250 µm thickness  
 Body from ductile iron EN-GJS-500-7  
 WRAS approved epoxy coating,  
 ACS approved epoxy coating under request



DUCTILE IRON FITTINGS

DN1	DN2	Flange drilling	L	e1	e2	Weight	BLUCAST ref. no.	DN1	DN2	Flange drilling	L	e1	e2	Weight	BLUCAST ref. no.
65	50	PN10/16	200	7	7		FFR065050	250	150	PN16	300	9	7.8	26	FFR250150P
80	50	PN10/16	200	7	7	5.9	FFR080050	250	200	PN10	300	9	8.4	29.5	FFR250200
80	65	PN10/16	200	7	7	6	FFR080065	250	200	PN16	300	9	8.4	29.5	FFR250200P
100	50	PN10/16	200	7.2	7	6.8	FFR100050	300	100	PN10	300	9.6	7.2	30.3	FFR300100
100	65	PN10/16	200	7.2	7	8.8	FFR100065	300	100	PN16	300	9.6	7.2	30.3	FFR300100P
100	80	PN10/16	200	7.2	7	8	FFR100080	300	150	PN10	300	9.6	7.8	32.1	FFR300150
125	100	PN10/16	200	7.4	7	8.5	FFR125100	300	200	PN10	300	9.6	8.4	33	FFR300200
150	50	PN10/16	200	7.8	7	9.7	FFR150050	300	200	PN16	300	9.6	8.4	33	FFR300200P
150	65	PN10/16	200	7.8	7	9.8	FFR150065	300	250	PN10	300	9.6	9	34	FFR300250
150	80	PN10/16	200	7.8	7	10	FFR150080	300	250	PN16	300	9.6	9	34	FFR300250P
150	100	PN10/16	200	7.8	7.2	10.1	FFR150100	400	100	PN10	300	10.8	9	51	FFR400100
200	80	PN10	300	8.4	7	17.5	FFR200080	400	150	PN10	300	10.8	9	51	FFR400150
200	80	PN16	300	8.4	7	17.5	FFR200080P	400	200	PN10	300	10.8	9	73.5	FFR400200
200	100	PN10	300	8.4	7.2	21.9	FFR200100	400	250	PN10	300	10.8	9	50	FFR400250
200	100	PN16	300	8.4	7.2	21.9	FFR200100P	400	300	PN10	300	10.8	9	58	FFR400300
200	150	PN10	300	8.4	7.8	22.7	FFR200150	500	300	PN10	300	12	12	110	FFR500300
200	150	PN16	300	8.4	7.8	22.7	FFR200150P	500	400	PN10	300	12	12	94	FFR500400
250	100	PN10	300	9	7.2	24.2	FFR250100	600	300	PN10	400	13.2	13.2	152	FFR600300
250	100	PN16	300	9	7.2	24.2	FFR250100P	600	400	PN10	300	13.2	13.2	142	FFR600400
250	150	PN10	300	9	7.8	26	FFR250150								



All illustrations, technical data, dimensions (in mm) and weights (all weights specified in kg) are non-binding and are subject to change



# DOUBLE FLANGED PIPE series FF

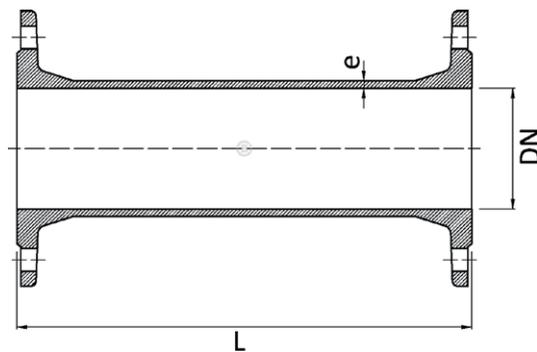


## TECHNICAL CHARACTERISTICS

Flange end connections according to EN1092-2  
 Designed according to EN545  
 Maximum working pressure: PN16 / 16 bar  
 Working temperature: 0°C - +70°C  
 Color RAL5015  
 Powder epoxy coating 250 µm thickness  
 Drilling of flanges: PN10/16, starting from DN200 - PN10  
 Body from ductile iron EN-GJS-500-7  
 WRAS approved epoxy coating,  
 ACS approved epoxy coating under request

DUCTILE IRON FITTINGS

DN	Flange drilling	L	e	Weight	BLUCAST ref. no.	DN	Flange drilling	L	e	Weight	BLUCAST ref. no.
50	PN10/16	100	7	4.8	FF050100	150	PN10/16	200	7.8	14.5	FF150200
50	PN10/16	200	7	6.5	FF050200	150	PN10/16	300	7.8	16.2	FF150300
50	PN10/16	300	7	9	FF050300	150	PN10/16	400	7.8	22.4	FF150400
50	PN10/16	400	7	10	FF050400	150	PN10/16	500	7.8	24	FF150500
50	PN10/16	500	7	11	FF050500	150	PN10/16	1000	7.8	46.5	FF1501000
50	PN10/16	1000	7	15	FF0501000	200	PN10	100	8.4	18.9	FF200100
80	PN10/16	100	7	6.4	FF080100	200	PN10	200	8.4	23	FF200200
80	PN10/16	200	7	7.1	FF080200	200	PN10	300	8.4	28.5	FF200300
80	PN10/16	300	7	7.9	FF080300	200	PN10	400	8.4	32	FF200400
80	PN10/16	400	7	9	FF080400	200	PN10	500	8.4	37	FF200500
80	PN10/16	500	7	12.1	FF080500	200	PN10	1000	8.4	60	FF2001000
80	PN10/16	1000	7	22.9	FF0801000	250	PN10	1000	9	78	FF2501000
100	PN10/16	100	7.2	8	FF100100	300	PN10	100	9.6	41.6	FF300100
100	PN10/16	200	7.2	8.5	FF100200	300	PN10	200	9.6	44.6	FF300200
100	PN10/16	300	7.2	9.9	FF100300	300	PN10	300	9.6	49.5	FF300300
100	PN10/16	400	7.2	11	FF100400	300	PN10	400	9.6	60	FF300400
100	PN10/16	500	7.2	12.8	FF100500	300	PN10	500	9.6	71.8	FF300500
100	PN10/16	1000	7.2	24.5	FF1001000	300	PN10	1000	9.6	130	FF3001000
150	PN10/16	100	7.8	13	FF150100						



All illustrations, technical data, dimensions (in mm) and weights (all weights specified in kg) are non-binding and are subject to change



# DUCKFOOT BEND 90° series N



## TECHNICAL CHARACTERISTICS

Flange end connections according to EN1092-2: PN10/PN16  
 Designed according to EN545  
 Maximum working pressure: PN16 / 16 bar  
 Working temperature: 0°C - +70°C  
 Color RAL5015  
 Powder epoxy coating 250 µm thickness  
 Body from ductile iron EN-GJS-500-7  
 WRAS approved epoxy coating,  
 ACS approved epoxy coating under request

# STUDED REDUCER FLANGE series XR



## TECHNICAL CHARACTERISTICS

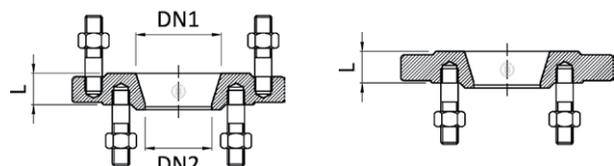
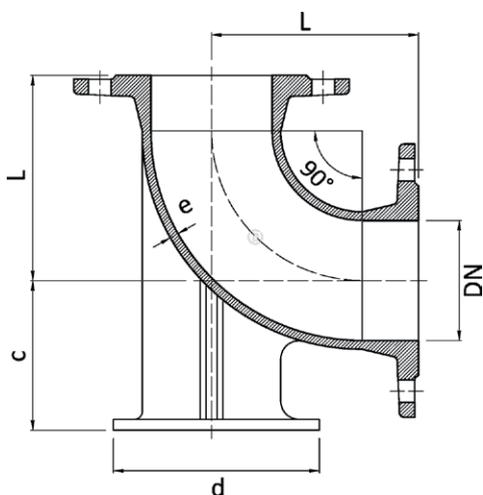
Flange end connections according to EN1092-2  
 Drilling of flanges: PN10/16, starting from DN200 - PN10  
 Maximum working pressure: PN16 / 16 bar  
 Working temperature: 0°C - +70°C  
 Color RAL5015  
 Powder epoxy coating 250 µm thickness  
 Body from ductile iron EN-GJS-500-7  
 WRAS approved epoxy coating  
 Bolts, nuts and washers - hot dip galvanized 8.8 carbon steel



DUCTILE IRON FITTINGS

DN	Flange drilling	L	C	d	e	Weight	BLUCAST ref. no.
80	PN10/16	165	110	180	7	12.2	N080
100	PN10/16	180	125	200	7.2	15	N100
150	PN10/16	220	160	250	7.8	30.5	N150
200	PN10	260	190	300	8.4	47.5	N200
250	PN10	350	225	350	9	76.8	N250
300	PN10	400	255	400	9.6	109	N300
400	PN10	500	320	500	10.8	185	N400
500	PN10	600	385	600	12	292	N500
600	PN10	700	450	700	13.2	446	N600

DN1	DN2	Flange drilling	L	Screws	Weight	BLUCAST ref. no.
665	50	PN10/16	32	D	5	XR065050
80	50	PN10/16	32	D	5.1	XR080050
80	65	PN10/16	32	D	5.7	XR080065
100	50	PN10/16	32	D	6	XR100050
100	65	PN10/16	32	D	6.1	XR100065
100	80	PN10/16	55	D	9.6	XR100080
150	65	PN10/16	37	S	10.2	XR150065
150	80	PN10/16	32	S	8.7	XR150080
150	100	PN10/16	32	D	10.2	XR150100
200	65	PN10	55	S	20.5	XR200065
200	80	PN10	50	S	19	XR200080
200	100	PN10	50	S	13.4	XR200100
200	150	PN10	32	S	14.3	XR200150
250	100	PN10	40	D	21.2	XR250100
250	150	PN10	35	S	17	XR250150
250	200	PN10	35	D	18.3	XR250200
300	80	PN10	43	D	29.7	XR300080
300	100	PN10	43	D	28.9	XR300100
300	150	PN10	43	D	28.6	XR300150
300	200	PN10	35	S	20	XR300200
300	250	PN10	35	D	21.8	XR300250
400	100	PN10	43	D	36.5	XR400100
400	150	PN10	43	D	41	XR400150
400	200	PN10	44	D	44	XR400200
400	250	PN10	44	D	42.3	XR400250
400	300	PN10	49	D	47	XR400300
500	300	PN10	51	D	57	XR500300
500	400	PN10	51	D	49	XR500400



Screwed: S- single set, D- double set

All illustrations, technical data, dimensions (in mm) and weights (all weights specified in kg) are non-binding and are subject to change



# BLIND FLANGE series X

# THREADED BLIND FLANGE series XS



## TECHNICAL CHARACTERISTICS

Flange end connections according to EN1092-2: PN10/PN16  
 Designed according to EN545  
 Maximum working pressure: PN16 / 16 bar  
 Working temperature: 0°C - +70°C  
 Color RAL5015  
 Powder epoxy coating 250 µm thickness  
 Body from ductile iron EN-GJS-500-7  
 WRAS approved epoxy coating,  
 ACS approved epoxy coating under request

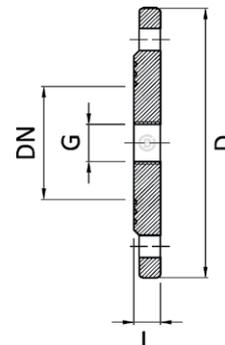
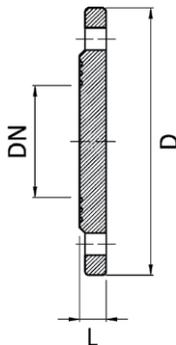
## TECHNICAL CHARACTERISTICS

Flange end connections according to EN1092-2: PN10/PN16  
 Designed according to EN545  
 Maximum working pressure: PN16 / 16 bar  
 Working temperature: 0°C - +70°C  
 Color RAL5015  
 Powder epoxy coating 250 µm thickness  
 Body from ductile iron EN-GJS-500-7  
 Universal flange drilling PN10/16

DUCTILE IRON FITTINGS

DN	Flange drilling	D	L	Weight	BLUCAST ref. no.
50	PN10/16	165	19	2.4	X050
65	PN10/16	185	19	2.8	X065
80	PN10/16	200	19	3.5	X080
100	PN10/16	220	19	4.1	X100
150	PN10/16	285	19	8.1	X150
200	PN10	340	20	9	X200
250	PN10	400	22	18.7	X250
300	PN10	455	24.5	23.5	X300
400	PN10	565	24.5	41.1	X400
500	PN10	670	26.5	61.1	X500
600	PN10	780	30	94.1	X600

DN	Flange drilling	G	D	L	Weight	BLUCAST ref. no.
50	PN10/16	1"	165	17	2.5	XS0501
50	PN10/16	1 1/4"	165	17	2.5	XS050114
50	PN10/16	1 1/2"	165	17	2.5	XS0502
50	PN10/16	2"	165	17	2.5	XS0502
65	PN10/16	1"	185	19	2.8	XS0651
65	PN10/16	1 1/4"	185	19	2.8	XS065114
65	PN10/16	2"	185	19	2.8	XS0652
80	PN10/16	1"	200	19	3	XS0801
80	PN10/16	1 1/4"	200	19	3	XS080114
80	PN10/16	2"	200	19	3	XS0802
100	PN10/16	1"	220	21	4	XS1001
100	PN10/16	1 1/4"	220	21	4	XS100114
100	PN10/16	1 1/2"	220	21	4	XS100112
100	PN10/16	2"	220	21	4	XS1002
150	PN10/16	2"	285	23	7	XS1502
200	PN10/16	2"	340	23	14	XS2002
250	PN10/16	2"	400	25	19	XS2502
300	PN10/16	2"	455	25	30	XS3002



All illustrations, technical data, dimensions (in mm) and weights (all weights specified in kg) are non-binding and are subject to change

# DISMANTLING JOINT series DJ

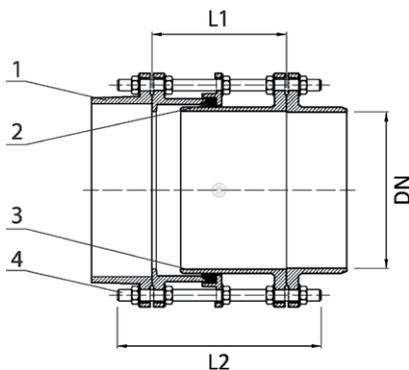


## TECHNICAL CHARACTERISTICS

Flange end connections according to EN1092-2: PN10/PN16  
 Designed according to EN545  
 Maximum working pressure: PN16 / 16 bar  
 Working temperature: 0°C - +70°C  
 Color RAL5015  
 Powder epoxy coating 250 µm thickness  
 Body from ductile iron EN-GJS-500-7  
 Bolts, nuts and washers - hot dip galvanized 8.8 carbon steel  
 Gasket - EPDM



Nominal size	Flange drilling	D	L1 min	L1 max	Bolt	Quantity & hole size	Weight	BLUCAST ref. no.
DN50	PN10/16	165	170	220	M16	4 x 19	9.6	DJ050
DN65	PN10/16	185	170	220	M16	4 x 19	12.6	DJ065
DN80	PN10/16	200	190	240	M16	8 x 19	15.8	DJ080
DN100	PN10/16	220	200	250	M16	8 x 19	18	DJ100
DN125	PN10/16	250	200	250	M16	8 x 19	22	DJ125
DN150	PN10/16	285	200	250	M20	8 x 23	28.7	DJ150
DN200	PN10	340	200	250	M20	8 x 23	35.5	DJ200
DN200	PN16	340	200	250	M20	12 x 23	41.5	DJ200P
DN250	PN10	400	210	260	M20	12 x 23	53.1	DJ250
DN250	PN16	400	210	260	M24	12 x 28	58.3	DJ250P
DN300	PN10	455	220	270	M20	12 x 23	61.6	DJ300
DN300	PN16	455	220	270	M24	12 x 28	74.5	DJ300P
DN350	PN10	505	230	280	M20	16 x 23	82.5	DJ350
DN400	PN10	565	240	290	M24	16 x 28	95	DJ400
DN500	PN10	670	260	310	M24	20 x 28	126.2	DJ500
DN600	PN10	780	280	330	M27	20 x 31	170	DJ600
DN700	PN10	895	290	340	M27	24 x 31	235	DJ700
DN800	PN10	1015	300	350	M30	24 x 34	248	DJ800
DN900	PN10	1115	310	360	M30	28 x 34	327	DJ900
DN1000	PN10	1230	315	365	M33	28 x 37	354	DJ1000
DN1200	PN10	1455	350	400	M36	32 x 40	507	DJ1200



No.	Item	Material
1	Body	Ductile iron EN-GJS-500-7
2	Gasket	EPDM
3	Body	Ductile iron EN-GJS-500-7
4	Bolts	8.8 steel hot dip galvanized

All illustrations, technical data, dimensions (in mm) and weights (all weights specified in kg) are non-binding and are subject to change



# FLANGE ADAPTOR FOR PE/PVC PIPES series APZ

# COUPLING FOR PE/PVC PIPES series MPZ



## APPLICATION

Flange adaptors dedicated for PE and PVC pipes

## DESIGN FEATURES

Restrained connection with brass ring prevents axial movement of the pipe

## TECHNICAL CHARACTERISTICS

Flange end connections according to EN1092-2: PN10&PN16  
 Maximum working pressure: PN16 / 16 bar  
 Working temperature: 0°C - +70°C  
 Color RAL5015  
 Powder epoxy coating 250 µm thickness  
 Bolts, nuts and washers - A2 stainless steel



## APPLICATION

Restrained couplings dedicated for PE and PVC pipes

## DESIGN FEATURES

Restrained connection with brass ring prevents axial movement of the pipe

## TECHNICAL CHARACTERISTICS

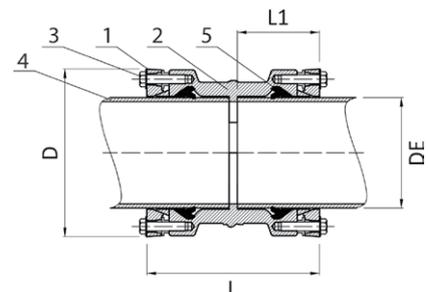
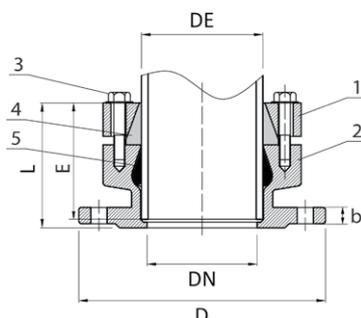
Maximum working pressure: PN16 / 16 bar  
 Working temperature: 0°C - +70°C  
 Color RAL5015  
 Powder epoxy coating 250 µm thickness  
 Bolts, nuts and washers: A2 stainless steel

DN	Flange drilling	DE	L	D	b	E	KG	BLUCAST ref. no.
50	PN10/16	63	90	165	19	80	4	APZ050063
60	PN10/16	75	92	175	19	82	4.2	APZ060075
65	PN10/16	63	90	185	19	80	4.2	APZ065063
65	PN10/16	75	92	185	19	82	4.2	APZ065075
80	PN10/16	75	92	200	19	82	5	APZ080075
80	PN10/16	90	95	200	19	85	5.1	APZ080090
100	PN10/16	90	95	220	19	85	5.5	APZ100090
100	PN10/16	110	95	220	19	85	5.7	APZ100110
100	PN10/16	125	97	220	19	87	6.4	APZ100125
125	PN10/16	110	95	250	19	85	6.7	APZ125110
125	PN10/16	125	97	250	19	87	6.9	APZ125125
150	PN10/16	160	115	285	19	105	9.8	APZ150160
150	PN10/16	180	125	285	19	115	13	APZ150180
200	PN10/16	200	135	340	20	125	13.1	APZ200200
200	PN10/16	225	138	340	20	128	13.8	APZ200225
250	PN10/16	250	155	400	22	145	19.3	APZ250250
250	PN10/16	280	158	400	22	148	24.9	APZ250280
300	PN10/16	315	184	455	25	174	26.8	APZ300315

DE	L	D	L1	KG	BLUCAST ref. no.
63	165	122	90	2,6	MPZ063
75	165	136	92	3,8	MPZ075
90	170	150	201	5,1	MPZ090
110	174	170	201	5,7	MPZ110
125	180	191	220	7,1	MPZ125
160	220	235	241	11,5	MPZ160
200	260	282	281	15	MPZ200
225	285	314	285	17,3	MPZ225
250	292	345	300	21	MPZ250
315	360	420	358	37,5	MPZ315

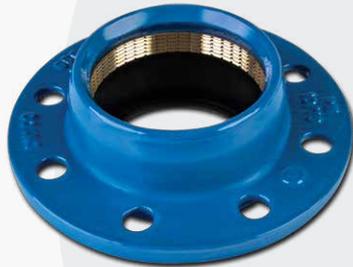
No.	Item	Material
1	Bracket	Ductile iron EN-GJS-500-7
2	Body	Ductile iron EN-GJS-500-7
3	Bolt	AISI306
4	Locking ring	Brass
5	Sealing gasket	EPDM

No.	Item	Material
1	Bracket	Ductile iron EN-GJS-500-7
2	Body	Ductile iron EN-GJS-500-7
3	Bolt	AISI306
4	Locking ring	Brass
5	Sealing gasket	EPDM



All illustrations, technical data, dimensions (in mm) and weights (all weights specified in kg) are non-binding and are subject to change

# FLANGE ADAPTOR FOR PE/PVC PIPES series AQZ



## APPLICATION

Flange adaptors dedicated for PE and PVC pipes

## DESIGN FEATURES

Quick restrained connection with brass ring prevents axial movement of the pipe

## TECHNICAL CHARACTERISTICS

Flange end connections according to EN1092-2: PN10&PN16

Maximum working pressure: PN16 / 16 bar

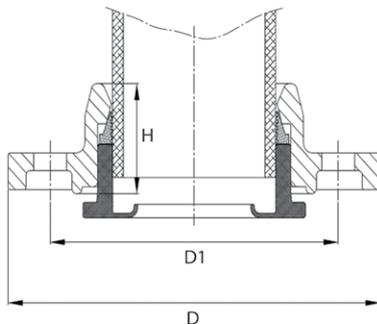
Working temperature: 0°C - +70°C

Color RAL5015

Powder epoxy coating 250 µm thickness



DN	Flange drilling	DE	H	D	D1	KG	BLUCAST ref. no.
50	PN10/16	63	45	165	125	2.5	AQZ050063
60-65	PN10/16	63	45	185	125	2.5	AQZ065063
60-65	PN10/16	75	45	185	145	2.6	AQZ065075
80	PN10/16	90	53	200	160	3.3	AQZ080090
100	PN10/16	110	56	220	180	3.5	AQZ100110
125	PN10/16	125	60	250	210	4	AQZ125125
150	PN10/16	160	69	285	240	6.2	AQZ150160
200	PN10	200	74	340	295	8.5	AQZ200200
200	PN10	225	74	340	295	8.7	AQZ200225
250	PN10	250	85	400	355	9	AQZ250250
300	PN10	315	95	455	410	11	AQZ300315
400	PN10	400	105	565	515	14	AQZ400400



No.	Item	Material
1	Body	Ductile iron EN-GJS-500-7
2	Locking ring	Brass
3	Sealing gasket	EPDM

# FLANGE ADAPTOR FOR PE/PVC PIPES series APE

# FLANGE ADAPTOR FOR PE/PVC PIPES series APA



## APPLICATION

Flange adaptors dedicated for PE and PVC pipes

## DESIGN FEATURES

Restrained connection with ductile iron ring prevents axial movement of the pipe

## TECHNICAL CHARACTERISTICS

Flange end connections according to EN1092-2: PN10&PN16  
 Maximum working pressure: PN16 / 16 bar  
 Working temperature: 0°C - +70°C  
 Color RAL5015  
 Powder epoxy coating 250 µm thickness  
 Bolts and nuts - 8.8 steel zinc coated

## APPLICATION

Flange adaptors dedicated for PE and PVC pipes

## DESIGN FEATURES

Restrained connection with locking teeth prevents axial movement of the pipe

## TECHNICAL CHARACTERISTICS

Flange end connections according to EN1092-2: PN10  
 Maximum working pressure: PN16 / 16 bar  
 Working temperature: 0°C - +70°C  
 Color RAL5015  
 Powder epoxy coating 250 µm thickness  
 Bolts and nuts - 4.8 steel hot dip galvanized

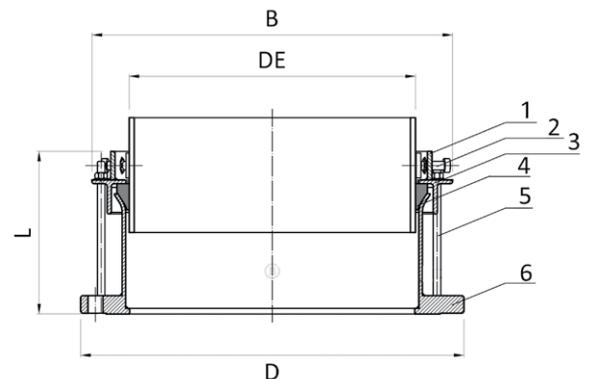
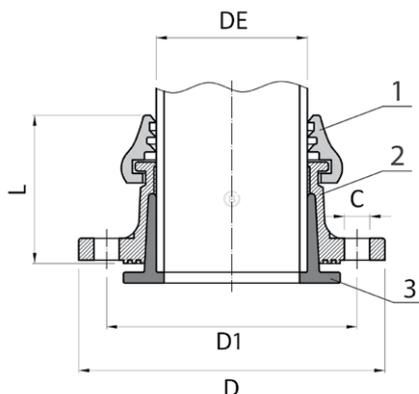
FLANGE ADAPTORS AND COUPLINGS

DN	Flange drilling	DE	L	D1	D	C	KG	BLUCAST ref. no.
50	PN10/16	63	94	125	165	M16x4	2,8	APE050063
65	PN10/16	75	94	145	185	M16x4	3,2	APE065075
80	PN10/16	90	94	160	200	M16x8	4,3	APE080090
100	PN10/16	110	107	180	220	M16x8	5,4	APE100110
125	PN10/16	125	114	210	250	M16x8	6,4	APE125125
150	PN10/16	160	128	240	285	M20x8	8,5	APE150160
200	PN10	200	135	295	340	M20x8	12	APE200200
250	PN10	250	181	350	405	M20x12	21,4	APE250250
300	PN10	315	198	400	460	M20x12	26,3	APE300315

DN	Flange drilling	DE	L	D	B	KG	BLUCAST ref. no.
300	PN10	355	277	455	487	31,4	APA300355
350	PN10	355	285	505	487	35,2	APA350355
400	PN10	400	285	565	532	43,7	APA400
400	PN10	455	285	565	632	52,2	APA400455
450	PN10	455	285	610	632	55	APA450
500	PN10	500	285	670	632	59	APA500
600	PN10	630	285	780	762	72,2	APA600

No.	Item	Material
1	Locking ring	Ductile iron EN-GJS-500-7, zinc coated
2	Body	Ductile iron EN-GJS-500-7
3	Gasket	EPDM

No.	Item	Material
1	Restraining tooth	4.8 steel hot dip galvanized
2	Bolt	4.8 steel hot dip galvanized
3	Bracket	EN-GJS-500-7
4	Gasket	EPDM
5	Bolt	4.8 steel hot dip galvanized
6	Body	EN-GJS-500-7



All illustrations, technical data, dimensions (in mm) and weights (all weights specified in kg) are non-binding and are subject to change



# UNIVERSAL FLANGE ADAPTOR series AUN



## APPLICATION

Universal flange adaptor is used for connecting various pipe materials with flanged fittings

## DESIGN FEATURES

Large tolerance  
Universal drilling for compatibility with both PN10 and PN16  
The bolt ends are protected with plastic caps

## TECHNICAL CHARACTERISTICS

Flange end connections according to EN1092-2: PN10/PN16  
Maximum working pressure: PN16 / 16 bar  
Working temperature: 0°C - +70°C  
Color RAL5015  
Powder epoxy coating 250 µm thickness  
Bolts, nuts and washers - carbon steel 8.8 hot dip galvanized  
Maximum angular deflection - 4°

# UNIVERSAL COUPLING series MUN



## APPLICATION

Universal couplings are used for connecting various pipes

## DESIGN FEATURES

Large tolerance  
The bolt ends are protected with plastic caps

## TECHNICAL CHARACTERISTICS

Maximum working pressure: PN16 / 16 bar  
Working temperature: 0°C - +70°C  
Color RAL5015  
Powder epoxy coating 250 µm thickness  
Bolts, nuts and washers - carbon steel 8.8 hot dip galvanized  
Maximum angular deflection at each end - 4°

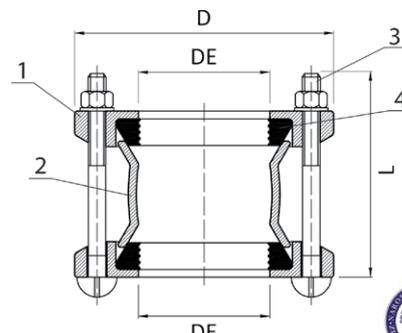
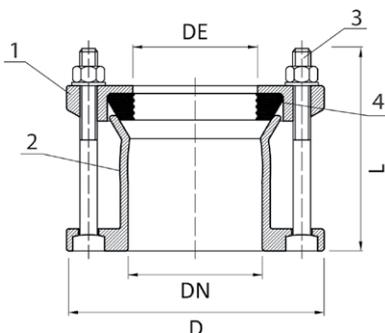


DN	Flange drilling	O.D range	D	L	Bolt qty.	KG	BLUCAST ref. no.
50	PN10/16	59-72	164	M12x130	2	3,4	AUN050
65	PN10/16	72-85	182	M12x130	2	3,6	AUN065
80	PN10/16	88-103	192	M12x140	4	4,4	AUN080
100	PN10/16	109-128	224	M12x140	4	5,2	AUN100
100	PN10/16	107-132	224	M12x140	4	5,2	AUN100107132
125	PN10/16	132-146	246	M12x140	4	7,3	AUN125
125	PN10/16	138-153	246	M12x140	4	7,3	AUN125138153
150	PN10/16	159-182	283	M12x140	4	7,4	AUN150
175	PN10/16	192-210	304	M12x140	4	11	AUN175
200	PN10/16	218-235	333	M12x140	4	10,2	AUN200
250	PN10/16	272-289	394	M12x150	6	13,3	AUN250
300	PN10/16	315-332	421	M12x150	6	17,6	AUN300
400	PN10/16	400-429	580	M16x180	8	34,3	AUN400429
400	PN10/16	417-437	536	M14x180	8	30,5	AUN400
500	PN10/16	500-532	715	M16x180	10	47,7	AUN500532
500	PN10/16	526-546	618	M14x180	10	51,3	AUN500
600	PN10/16	630-650	734	M14x180	10	67,5	AUN600

DN	O.D range	D	Bolts	Bolt qty.	KG	BLUCAST ref. no.
50	59-72	164	M12x180	2	2,6	MUN050
65	72-85	182	M12x180	2	2,8	MUN065
80	88-103	192	M12x180	4	3,7	MUN080
100 to 80	88-103 / 109-128	192 / 224	M12x180	4	4,2	MUN100080
100	109-128	224	M12x180	4	4,6	MUN100
150 to 100	109-128 / 159-182	224 / 283	M12x190	4	6,6	MUN150100
150	159-182	283	M12x190	4	6,9	MUN150
175	192-210	304	M12x190	4	9,2	MUN175
200	218-235	333	M12x210	4	9,7	MUN200
200 to 150	159-182 / 218-235	283 / 333	M12x210	4	8	MUN200150
250	272-289	394	M12x220	6	12,5	MUN250
300	315-332	421	M12x220	6	15,3	MUN300
400	417-437	536	M14x250	8	28	MUN400
500	526-546	618	M14x250	10	38,5	MUN500
600	630-650	734	M14x250	10	58,75	MUN600

No.	Item	Material
1	Bracket	Ductile iron EN-GJS-500-7
2	Body	Ductile iron EN-GJS-500-7
3	Bolt	8.8 carbon steel hot dip galvanized
4	Sealing gasket	EPDM

No.	Item	Material
1	Bracket	Ductile iron EN-GJS-500-7
2	Body	Ductile iron EN-GJS-500-7
3	Bolt	8.8 carbon steel hot dip galvanized
4	Sealing gasket	EPDM



All illustrations, technical data, dimensions (in mm) and weights (all weights specified in kg) are non-binding and are subject to change



# SADDLE FOR PE/PVC PIPES series BPE



## APPLICATION

BLUCAST saddles for PE/PVC are easy to mount, maintenance free and designed for long life.

## TECHNICAL CHARACTERISTICS

Maximum working pressure: PN16 / 16 bar

Working temperature: 0°C - +70°C

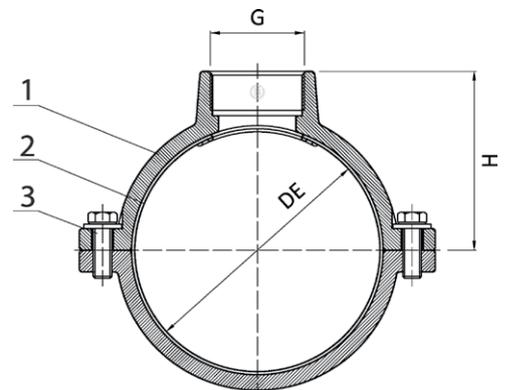
Color RAL5015

Powder epoxy coating 250 µm thickness

TAPPING SADDLES

DN	DE	G	Lenght	H	Weight	BLUCAST ref. no.
DN50	50	1"	100	84	0.8	BPE0501
DN50	50	1 1/4"	100	84	0.8	BPE050114
DN50	50	1 1/2"	100	84	0.8	BPE050112
DN63	63	1"	100	97	1.2	BPE0631
DN63	63	1 1/4"	100	97	1.2	BPE063114
DN63	63	1 1/2"	100	97	1.2	BPE063112
DN63	63	2"	100	97	1.2	BPE0632
DN75	75	1"	100	111	1.35	BPE0751
DN75	75	1 1/4"	100	111	1.35	BPE075114
DN75	75	1 1/2"	100	111	1.35	BPE075112
DN75	75	2"	100	111	1.35	BPE0752
DN90	90	1"	100	124	1.7	BPE0901
DN90	90	1 1/4"	100	124	1.7	BPE090114
DN90	90	1 1/2"	100	124	1.7	BPE090112
DN90	90	2"	100	124	1.7	BPE0902
DN110	110	1"	110	148	2.3	BPE1101
DN110	110	1 1/4"	110	148	2.3	BPE110114
DN110	110	1 1/2"	110	148	2.3	BPE110112
DN110	110	2"	110	148	2.3	BPE1102
DN160	160	1"	125	209	5	BPE1601
DN160	160	1 1/4"	125	209	5	BPE160114
DN160	160	1 1/2"	125	209	5	BPE160112
DN160	160	2"	125	209	5	BPE1602
DN200	200	1"	125	251	8.5	BPE2001
DN200	200	1 1/4"	125	251	8.5	BPE200114
DN200	200	1 1/2"	125	251	8.5	BPE200112
DN200	200	2"	125	251	8.5	BPE2002
DN250	250	2"	168	351	13	BPE2502
DN315	315	2"	195	385	17.5	BPE3152

No.	Item	Material
1	Body	Ductile iron EN-GJS-500-7
2	Gasket	EPDM
3	Bolts	AISI304 stainless steel



# FLANGED SADDLE FOR PE/PVC PIPES series BPF



## APPLICATION

BLUCAST flanged saddles for PE/PVC are easy to mount, maintenance free and designed for long life.

## TECHNICAL CHARACTERISTICS

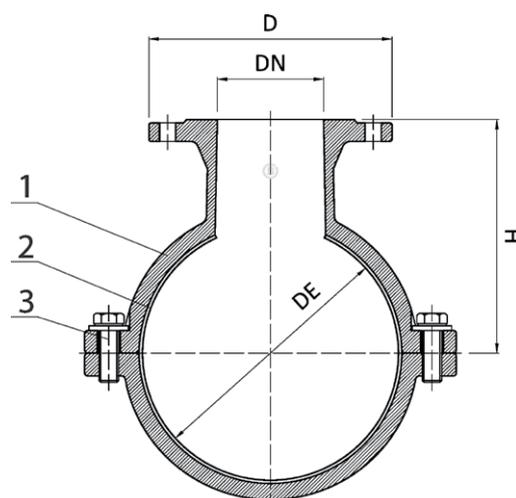
Flange end connections according to EN1092-2: PN10&PN16  
 Maximum working pressure: PN16 / 16 bar  
 Working temperature: 0°C - +70°C  
 Stainless steel bolts  
 Color RAL5015  
 Powder epoxy coating at least 250 µm thickness



TAPPING SADDLES

DE	DN	L	H	D	PN	Weight	BLUCAST ref. no.
110	50	200	165	165	PN10/16	7.7	BPF110050
110	65	200	165	185	PN10/16	8.8	BPF110065
110	80	200	165	200	PN10/16	9.6	BPF110080
160	50	230	190	165	PN10/16	12.9	BPF160050
160	80	230	190	200	PN10/16	15.9	BPF160080
160	100	230	190	220	PN10/16	17	BPF160100
200	50	230	220	165	PN10/16	16.3	BPF200050
200	80	230	230	200	PN10/16	17.2	BPF200080
200	100	230	230	220	PN10/16	18.4	BPF200100
225	50	230	240	165	PN10/16	18.7	BPF225050
225	80	230	240	200	PN10/16	20.5	BPF225080
225	100	230	240	220	PN10/16	21.8	BPF225100
250	50	300	230	165	PN10/16	21.2	BPF250050
250	80	300	240	200	PN10/16	22.2	BPF250080
250	100	300	240	220	PN10/16	23.5	BPF250100
250	150	300	240	285	PN10/16	31.4	BPF250150
315	50	300	295	165	PN10/16	31	BPF315050
315	80	300	295	200	PN10/16	32.2	BPF315080
315	100	300	315	220	PN10/16	33.1	BPF315100
315	150	300	315	285	PN10/16	37.6	BPF315150
400	80	390	330	200	PN10/16	44.7	BPF400080
400	100	390	330	220	PN10/16	45.8	BPF400100
400	150	390	330	285	PN10/16	48.6	BPF400150

No.	Item	Material
1	Body	Ductile iron EN-GJS-500-7
2	Gasket	EPDM
3	Bolts	AISI304 stainless steel



All illustrations, technical data, dimensions (in mm) and weights (all weights specified in kg) are non-binding and are subject to change



# FLANGED SADDLE WITH SS BAND FOR DI PIPES series BKF

# SADDLE FOR DUCTILE IRON PIPES series BK



## APPLICATION

BLUCAST saddles for ductile iron pipes are easy to mount, maintenance free and designed for long life.

## TECHNICAL CHARACTERISTICS

Flange end connections according to EN1092-2: PN10/PN16  
 Designed according to EN545  
 Maximum working pressure: PN16 / 16 bar  
 Working temperature: 0°C - +70°C  
 Color RAL5015  
 Powder epoxy coating 250 µm thickness  
 Body from ductile iron EN-GJS-500-7

## APPLICATION

BLUCAST series BK saddles can be used with different pipe sizes.  
 Designed to be used with series JB stainless steel bands.

## TECHNICAL CHARACTERISTICS

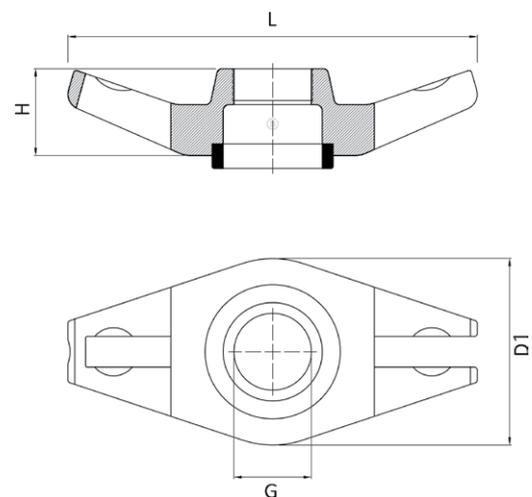
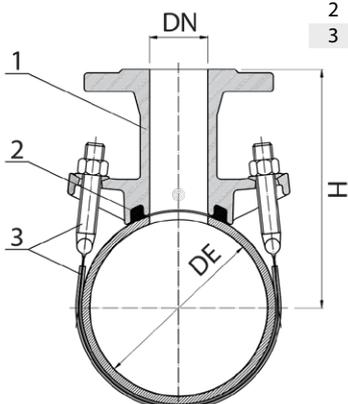
Maximum working pressure: PN16 / 16 bar  
 Working temperature: 0°C - +70°C  
 Color RAL5015  
 Powder epoxy coating 250 µm thickness  
 Body from ductile iron EN-GJS-500-7  
 Gasket: EPDM

TAPPING SADDLES

DN	DE range	Outlet DN	H	N-M	Weight	BLUCAST ref. no.
80	75-98mm	50	155	4-M12	10	BKF080050
100	97-118mm	50	165	4-M12	12,5	BKF100050
100	97-118mm	65	165	4-M12	13,2	BKF100065
100	97-118mm	80	170	4-M12	13,4	BKF100080
150	158-177mm	50	190	4-M16	15,1	BKF150050
150	158-177mm	80	200	4-M16	15,9	BKF150080
150	158-177mm	100	205	4-M16	17,1	BKF150100
200	206-233mm	50	225	6-M16	16,1	BKF150050
200	206-233mm	80	225	6-M16	18,1	BKF200080
200	206-233mm	100	230	6-M16	18,6	BKF200100
200	206-233mm	150	245	6-M16	20,1	BKF200150
250	260-286mm	100	270	6-M16	20,9	BKF250100
250	260-286mm	150	280	6-M16	22,4	BKF250150
300	313-338mm	100	300	8-M16	29,2	BKF300100
300	313-338mm	150	310	8-M16	30,6	BKF300150
400	400-435mm	100	405	4-M16	36,7	BKF400100
400	400-435mm	150	405	6-M16	41,2	BKF400150
500	506-535mm	100	455	4-M16	39,2	BKF500100
500	506-535mm	150	455	6-M16	43,7	BKF500150
600	610-640mm	100	505	4-M16	40,5	BKF600100
600	610-640mm	150	505	6-M16	45,2	BKF600150

DN	G	H	L	Weight	D1	Straps needed	BLUCAST ref. no.
50-200	1"	45	150	1.1	70	1	BK0502001
50-200	1 1/4"	45	150	1.1	70	1	BK050200114
50-200	1 1/2"	45	150	1.1	70	1	BK050200112
100-300	1"	45	195	2.7	92	1	BK1003001
100-300	1 1/4"	45	195	2.7	92	1	BK100300114
100-300	1 1/2"	45	195	2.7	92	1	BK100300112
100-300	2"	45	195	2.7	92	1	BK1003002
150-400	2"	65	216	5.9	157	2	BK1504002

No.	Item	Material
1	Body	Ductile iron EN-GJS-500-7
2	Gasket	EPDM
3	Band, nuts	Stainless steel AISI304



All illustrations, technical data, dimensions (in mm) and weights (all weights specified in kg) are non-binding and are subject to change



# FLANGED SADDLE WITHOUT SS BANDS FOR DI PIPES series BFL STAINLESS STEEL BAND series JB



## APPLICATION

BLUCAST saddles series BFL for ductile iron pipes are universal in size. Designed to be used with stainless steel bands JB.

## TECHNICAL CHARACTERISTICS

Flange end connections according to EN1092-2: PN10/PN16  
 Designed according to EN545  
 Maximum working pressure: PN16 / 16 bar  
 Working temperature: 0°C - +70°C  
 Color RAL5015  
 Powder epoxy coating 250 µm thickness  
 Gasket: EPDM  
 Body from ductile iron EN-GJS-500-7  
 2 pcs JB bands per one saddle



## APPLICATION

JB stainless steel bands are to be used with BK saddles or BFL saddles.

## TECHNICAL CHARACTERISTICS

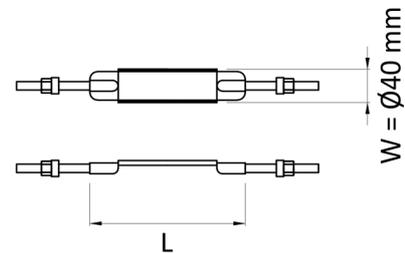
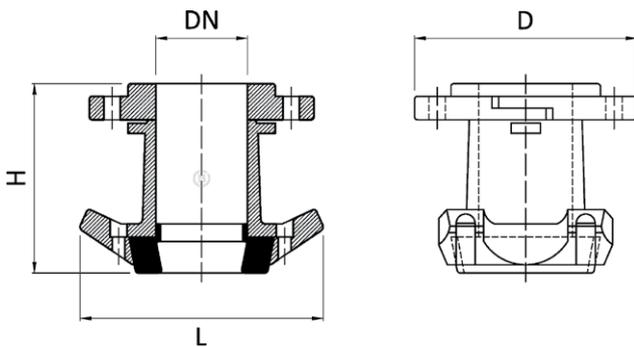
Maximum working pressure: PN16 / 16 bar  
 Working temperature: 0°C - +70°C  
 Body from stainless steel AISI304  
 EPDM gasket



TAPPING SADDLES

DN	OUTLET DN	H	L	Weight	BLUCAST ref. no.
150 - 400	80	165	220	9.2	BFL150400080
250 - 400	100	165	220	10.5	BFL250400100

DE range	BK 50-200	BK100-300	BK150-400	L	Weight	BLUCAST ref. no.
60-77	x			160	0.32	JBK060077
77-95	x			200	0.34	JBK077095
98-119	x			270	0.39	JBK098119
102-122	x	x		278	0.40	JBK102122
120-150	x	x		295	0.42	JBK120150
125-135	x	x		295	0.43	JBK125135
139-160	x	x	x	368	0.47	JBK139160
150-180	x	x	x	392	0.49	JBK150180
200-230		x	x	530	0.56	JBK200230
230-250		x	x	610	0.60	JBK230250
250-280		x	x	675	0.65	JBK250280
285-315		x	x	770	0.71	JBK285315
315-340		x	x	860	0.77	JBK315340
410-435			x	1060	0.92	JBK410435



All illustrations, technical data, dimensions (in mm) and weights (all weights specified in kg) are non-binding and are subject to change

# REPAIR LAMP series RM



## APPLICATION

Single and double band repair clamps used for repairing broken or leaking ductile iron, steel, PE or PVC water or sewage pipelines

## TECHNICAL CHARACTERISTICS

Maximum working pressure: PN16 / 16 bar

Working temperature: 0°C - +70°C

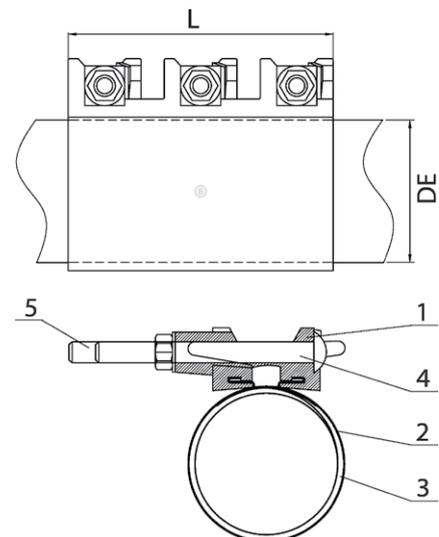
Color RAL5015

Powder epoxy coating 250 µm thickness

OTHER PRODUCTS

DEmin	DEmax	Lenght	Weight	PN	BLUCAST ref. no.
60	67	200	4.2	PN16	RM060200
75	85	200	4.3	PN16	RM075200
75	85	300	6	PN16	RM075300
88	98	200	4.4	PN16	RM088200
88	98	300	6.2	PN16	RM088300
108	118	200	4.7	PN16	RM108200
108	118	300	6.5	PN16	RM108300
115	128	200	4.6	PN16	RM115200
115	128	300	6.9	PN16	RM115300
132	144	200	4.7	PN16	RM132200
132	144	300	7.1	PN16	RM132300
151	161	200	4.8	PN16	RM151200
151	161	300	7.2	PN16	RM151300
158	172	200	4.9	PN16	RM158200
158	172	300	6.9	PN16	RM158300
168	182	200	4.9	PN16	RM168200
168	182	300	7.4	PN16	RM168300
193	203	200	5	PN16	RM193200
193	203	300	7.5	PN16	RM193300
217	229	200	5.5	PN16	RM217200
217	229	300	7.8	PN16	RM217300
243	260	200	5.8	PN16	RM243200
243	260	300	8.6	PN16	RM243300
270	288	200	5.9	PN16	RM270200
270	288	300	8.1	PN16	RM270300
304	323	200	6	PN16	RM304200
304	323	300	8.1	PN16	RM304300
323	336	200	6.2	PN16	RM323200
323	336	300	9.3	PN16	RM323300
410	432	300	15.2	PN16	RMD410300
410	432	400	21	PN16	RMD410400
510	540	400	21.7	PN16	RMD510400
630	660	500	36.6	PN16	RMD630500

No.	Item	Material
1	Head	Ductile iron EN-GJS-500-7
2	Body	Stainless steel AISI304
3	Gasket	EPDM
4	Bolts	Carbon steel zinc plated
5	Bolt caps	PE



# STAINLESS STEEL REPAIR CLAMP series RMSS



## APPLICATION

Single clamp repair clamps used for repairing broken or leaking ductile iron, steel, PE or PVC water or sewage pipelines

## TECHNICAL CHARACTERISTICS

Maximum working pressure: PN16 / 16 bar

Working temperature: 0°C - +70°C

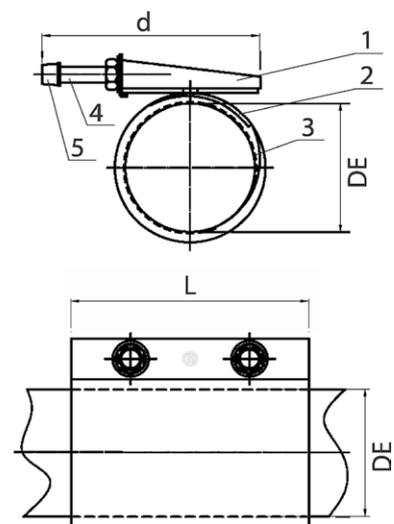
Bolt nuts coated in nylon to prevent corrosion



OTHER PRODUCTS

D <sub>Emin</sub>	D <sub>Emax</sub>	Lenght	Weight	PN	BLUCAST ref. no.
60	67	200	1.5	PN16	RMSS060200
75	85	200	2	PN16	RMSS075200
88	98	200	2	PN16	RMSS088200
108	118	200	2.2	PN16	RMSS108200
108	118	300	3.3	PN16	RMSS108300
115	128	200	2.3	PN16	RMSS115200
115	128	300	3.4	PN16	RMSS115300
132	142	200	2.4	PN16	RMSS132200
132	142	300	3.6	PN16	RMSS132300
151	161	200	2.5	PN16	RMSS151200
151	161	300	3.7	PN16	RMSS151300
158	172	200	2.6	PN16	RMSS158200
158	172	300	3.8	PN16	RMSS158300
168	182	200	2.7	PN16	RMSS168200
168	182	300	4.1	PN16	RMSS168300
217	229	200	3.2	PN16	RMSS217200
217	229	300	4.7	PN16	RMSS217300
270	288	200	3.5	PN16	RMSS270200
270	288	300	5.3	PN16	RMSS270300
304	320	200	3.7	PN16	RMSS304200
304	320	300	5.6	PN16	RMSS304300
323	336	200	3.9	PN16	RMSS323200
323	336	300	5.8	PN16	RMSS323300

No.	Item	Material
1	Head	Stainless steel AISI304
2	Body	Stainless steel AISI304
3	Gasket	EPDM
4	Bolts	Stainless steel AISI304
5	Bolt caps	PE



All illustrations, technical data, dimensions (in mm) and weights (all weights specified in kg) are non-binding and are subject to change



# SPINDLE EXTENSIONS series TV, FV

# STREET BOX



## TECHNICAL CHARACTERISTICS

Stem from zinc coated steel  
 HDPE plastic cover  
 Top and bottom caps are powder epoxy coated with 250 µm thickness

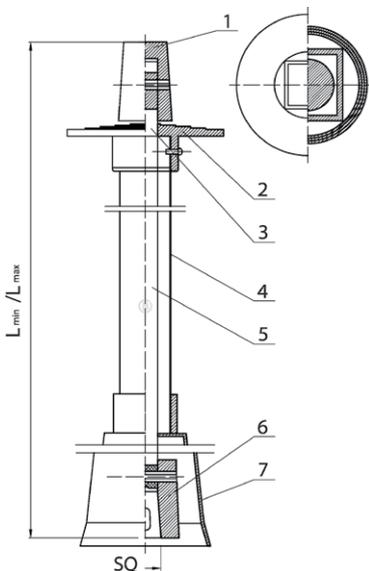
## TECHNICAL CHARACTERISTICS

Body from ductile iron EN-GJL-200  
 Anticorrosion painting  
 Zinc coated bolt holds the cover in place (4050 version)

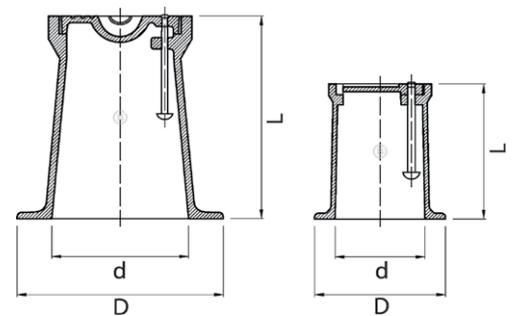
OTHER PRODUCTS

DN	SQ	Lmin	Lmax	BLUCAST ref. no.
	10,5	1300	1800	TV1318SQ10
	12	1300	1800	TV1318SQ12
25-80	14	1300	1800	TV1318SQ14
100	17	1300	1800	TV1318SQ17
150-200	19	1300	1800	TV1318SQ19
250	24	1300	1800	TV1318SQ24
300-400	27	1300	1800	TV1318SQ27
500-600	32	1300	1800	TV1318SQ32
	10,5	2000	2500	TV2025SQ10
	12	2000	2500	TV2025SQ12
25-80	14	2000	2500	TV2025SQ14
100	17	2000	2500	TV2025SQ17
150-200	19	2000	2500	TV2025SQ19
250	24	2000	2500	TV2025SQ24
300-400	27	2000	2500	TV2025SQ27
500-600	32	2000	2500	TV2025SQ32
25-600	10,5-32	600	600	FV06SQ/...
25-600	10,5-32	1000	1000	FV10SQ/...
25-600	10,5-32	1500	1500	FV15SQ/...
25-600	10,5-32	2000	2000	FV20SQ/...

	L	d	weight	BLUCAST ref. no.
<b>small</b>	150	110	2.9	4050
<b>big</b>	270	185	11	4056



No.	Item	Material
1	Top cap	EN-GJL-250
2	Flange	HDPE
3	Connector	Galvanized steel
4	Cover	HDPE
5	Telescopic spindle	Galvanized steel
6	Bottom cap	EN-GJL-250
7	Bell	HDPE



All illustrations, technical data, dimensions (in mm) and weights (all weights specified in kg) are non-binding and are subject to change



# CERTIFICATES

G-CERTI Certificate of Registration



## G-CERTI Certificate

G-CERTI hereby certifies that

**UAB BLUCAST  
JSC BLUCAST**

**Žirmūnų g. 66, LT-09131 Vilnius, Lietuva**  
Zirmusu st. 66, LT-09131 Vilnius, Lithuania

*has been audited and certified as meeting the requirements of Scope of registration*

**ISO 9001:2015 Quality Management Systems**

**Vožtuvų ir jungiamųjų detalių užsakomoji gamyba, projektavimas ir pardavimas**

Contracted manufacturing, design and sales of water supply shut-off valve and fittings

Certificate No : GKLT-0138-QC  
Initial Date : 17. Jul. 2017 Issue Date : 10. Jul. 2020  
Expiry Date : 16. Jul. 2023 Valid period : 17. Jul. 2020 – 16. Jul. 2023

Signed for and on behalf of GCERTI  
President I.K. Čiutis 





To verify the validity of this certificate please visit: [www.gcerti.com](http://www.gcerti.com)  
Kontakų informacija: Europos plėtos, Europos g. 8B, 12P, Šturkaiškos apskr. Šturkaiškos seniūnija, Vilnius, Lietuva. Šiuo laišku patvirtinama, kad šios įmonės valdymo sistemos atitinka ISO 9001:2015 reikalavimus. Jei šis sertifikatas išduotas ne pagal šiuos reikalavimus, sertifikatas turėtų būti anuliuotas.  
To verify the validity of this certificate please contact the president of GCERTI and the certification body.



**NARODOWY INSTYTUT ZDROWIA PUBLICZNEGO**  
- Państwowy Zakład Higieny  
Zakład Bezpieczeństwa Zdrowotnego Środowiska

**ATEST HIGIENICZNY** BK/W/0545/01/2018  
HYGIENIC CERTIFICATE ORIGINAL  
NATIONAL INSTITUTE OF PUBLIC HEALTH – NATIONAL INSTITUTE OF HYGIENE

Wyroby / produkt: **Zasusy żelwone, kształtki kolnierzowe, adaptery, słodka**

Zawierający / containing: **żelwo sferoidalne, powłokę epoksydową, EPDM**

Przeznaczony do / destined: **montażu w instalacjach służących do przesyłania wody przeznaczonej do spożycia przez ludzi oraz rozbudowy rurociągów**

Wymieniony wyżej produkt odpowiada wymaganiom higienicznym przy spełnieniu następujących warunków / The above-named product is acceptable according to hygiene criteria with the following conditions:  
Instalacja służąca do przesyłania wody przeznaczonej do spożycia przez ludzi, przed oddaniem do użytku, należy przepłukać wodą w objętości zapewniającej jej całkowitą wymianę.  
Atest nie dotyczy parametrów technicznych wyrobów / The hygienic certificate does not apply to technical parameters of the products.

Wytwórca / producer:  
BLUCAST JSC  
LT-09131 Vilnius  
Žirmūnų str. 66, Liuva

Niniejszy dokument wydano na wniosek / this certificate issued for:  
BLUCAST JSC  
LT-09131 Vilnius  
Žirmūnų str. 66, Liuva

Atest może być zmieniony lub unieważniony po przedstawieniu stosownych dowodów przez którąkolwiek stronę. Niniejszy atest traci ważność po 2021-06-20 lub w przypadku zmian w recepturze albo w technologii wytwarzania wyrobu.  
The certificate may be corrected or cancelled after appropriate motivation. The certificate loses its validity after 2021-06-20 or in the case of changes in composition or in technology of production.

Data wydania atestu higienicznego: 20 czerwca 2018  
The date of issue of the certificate: 20th June 2018

Kierownik Zakładu Bezpieczeństwa Zdrowotnego Środowiska  


Kontakt w sprawie niniejszego atestu higienicznego / To contact regarding this hygienic certificate:  
Zakład Bezpieczeństwa Zdrowotnego Środowiska NZDZ-9291 / Department of Environmental Health and Safety 18P4-3041  
00-791 Warszawa, ul. Chocimska 24 / 00-791 Warszawa, Chocimska 24, Poland  
e-mail: [sew-uh@pzh.gov.pl](mailto:sew-uh@pzh.gov.pl) tel: +48 22 54-21-354, fax: +48 22 54-21-348



This certifies that

**BLUCAST JSC.**

*has had the undermentioned product examined, tested and found, when correctly installed, to comply with the requirements of the United Kingdom Water Supply (Water Fittings) Regulations and Scottish Water Byelaws.*

**BLUCAST- GATE VALVES: DN50-600**  
**PRODUCT CODE RANGE : 115050, 115065, 115080, 115100, 115125, 115150, 115200, 115P200, 115250, 115P250, 115300, 115P300, 115400, 115P400, 115500, 115600**

*The certificate by itself is not evidence of a valid WRAS Approval. Confirmation of the current status of an approval must be obtained from the WRAS Directory ([www.wras.co.uk/directory/](http://www.wras.co.uk/directory/))*

*The product so mentioned will be valid until the end of:*

**June 2021**

**1606371**

Certificate No.

  
Secretary

  
Chairman, Product Assessment Group

G-CERTI Certificate of Registration



## G-CERTI Certificate

G-CERTI hereby certifies that

**UAB BLUCAST  
JSC BLUCAST**

**Žirmūnų g. 66, LT-09131 Vilnius, Lietuva**  
Zirmusu st. 66, LT-09131 Vilnius, Lithuania

*has been audited and certified as meeting the requirements of Scope of registration*

**ISO 14001:2015 Environmental Management Systems**

**Vožtuvų ir jungiamųjų detalių užsakomoji gamyba, projektavimas ir pardavimas**

Contracted manufacturing, design and sales of water supply shut-off valve and fittings

Certificate No : GKLT-0138-EC  
Initial Date : 19. Jul. 2019 Issue Date : 19. Jul. 2019  
Expiry Date : 18. Jul. 2022 Valid Period : 19. Jul. 2019 – 18. Jul. 2022

Signed for and on behalf of GCERTI  
President I.K. Čiutis 





To verify the validity of this certificate please visit: [www.gcerti.com](http://www.gcerti.com)  
Kontakų informacija: Europos plėtos, Europos g. 8B, 12P, Šturkaiškos apskr. Šturkaiškos seniūnija, Vilnius, Lietuva. Šiuo laišku patvirtinama, kad šios įmonės valdymo sistemos atitinka ISO 14001:2015 reikalavimus. Jei šis sertifikatas išduotas ne pagal šiuos reikalavimus, sertifikatas turėtų būti anuliuotas.  
To verify the validity of this certificate please contact the president of GCERTI and the certification body.



CERTIFICATES





Žirmūnų g. 66, LT-09131 Vilnius, Lithuania  
Tel. +370 5 273 5865, +370 5 273 5866, e-mail: info@blucast.eu

[www.blucast.eu](http://www.blucast.eu)

