

NRS Resilient Seated Gate Valve with Switch PN10/PN16, Size DN50-DN300 **FIG-F3276S Flanged Ends**

Specifications

- Designed and Manufactured in Accordance with DIN 3352.
- Flanged Ends are EN1092-2 PN10/PN16 (Standard). Other Flange Types Available upon Request.
- Ductile-Iron Wedge Fully Encapsulated with EPDM Rubber Compound.
- High Strength Stainless Steel Stem with Low Operation Torque.
- Face to face length in accordance with DIN3202-F4 / EN558-1 basic series 14.

Working Pressure

- 10bar, 16bar.

Working Temperature

- -10 - 82°C

Corrosion Protection

- Internally and externally sprys painted or fusion bonded powder coated (FBE).

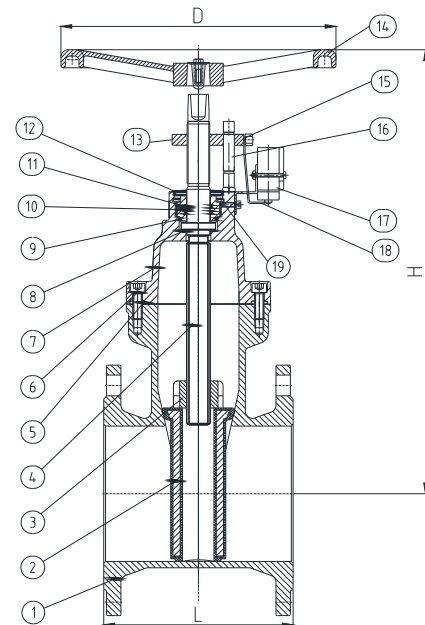
Notes:

Design and material are subject to change without notice.

Material Specifications

No.	Part Name	Material	Specifications
1	Body	Ductile Iron	EN-GJS-500-7/GGG50
2	Wedge	Ductile Iron EPDM Encapsulated	EN-GJS-500-7/GGG50 + EPDM
3	Wedge Nut	Brass	HMn55-3-1
4	Stem	Stainless Steel	SS 420
5	Gasket	EPDM	EPDM
6	Bonnet Screw	Carbon Steel	Gr.8.8
7	Bonnet	Ductile Iron	EN-GJS-500-7/GGG50
8	Washer	POM	POM
9	O-Ring	NBR	NBR
10	Gland	Brass	CuZn39Pb3
11	O-Ring	NBR	NBR
12	Dust Proof Ring	NBR	NBR
13	Slider	Aluminium Alloy	
14	Handwheel	Ductile Iron	EN-GJS-500-7/GGG50
15	Position Plate	Carbon Steel, Zinc Plated	
16	Guide	Carbon Steel, Zinc Plated	
17	Annunciator		
18	Fixing Plate	Carbon Steel, Zinc Plated	
19	Retainer Ring	POM	POM

Schematic



Dimensions (mm)

Size	DN50	DN65	DN80	DN100	DN125	DN150	DN200	DN250	DN300
L	150	170	180	190	200	210	230	250	270
H	290	305	330	365	440	475	570	675	755
D	175	175	255	255	305	305	355	405	405

The designs, materials and specifications shown are subject to change without notice due to the continuous development of our products.